

---

## Serial number placement

---

# INDEX

## 1. ACCUMULATING STOVES

1.1 Salzburg C.....	4
1.2 Salzburg L Series.....	5
1.3 Salzburg M Series.....	6
1.4 Salzburg S.....	7
1.5 Salzburg XL.....	8
1.6 Salzburg R.....	9

## 2. INSERTS

2.1 N-20A, N-21A Exclusive.....	10
2.2 N-20F, N-21F Exclusive.....	11
2.3 N-20T, N-21T Exclusive.....	12
2.4 N-20U, N-21U Exclusive.....	13
2.5 N-21.....	14
2.6 N-23G.....	15
2.7 N-24.....	16
2.8 N-36A.....	17
2.9 N-29U/A.....	18
2.10 N-29P/T.....	19
2.11 NI-22.....	20
2.12 NI-25.....	21
2.13 Q-23.....	22
2.14 Q-24UL.....	23
2.15 Q-27.....	24
2.16 Q-30.....	25
2.17 Q-34 AL.....	26
2.18 Q-34 UL.....	27
2.19 S-18F, S-18U.....	28
2.20 S-26R.....	29
2.21 X-20F.....	30
2.22 X-25F.....	31
2.23 S-31A Basic / Exclusive.....	32

## 3. STOVES

3.1 Bergen, Glasgow.....	33
3.2 Duo.....	34
3.3 Orion.....	35
3.4 Quadro Basic / Exclusive.....	36
3.5 Saturn.....	37
3.6 Smarty.....	38
3.7 Uno.....	39
3.8 Me.....	40-41
3.9 Origo Series.....	42
3.10 YoU Series.....	43

## **Surrounds**

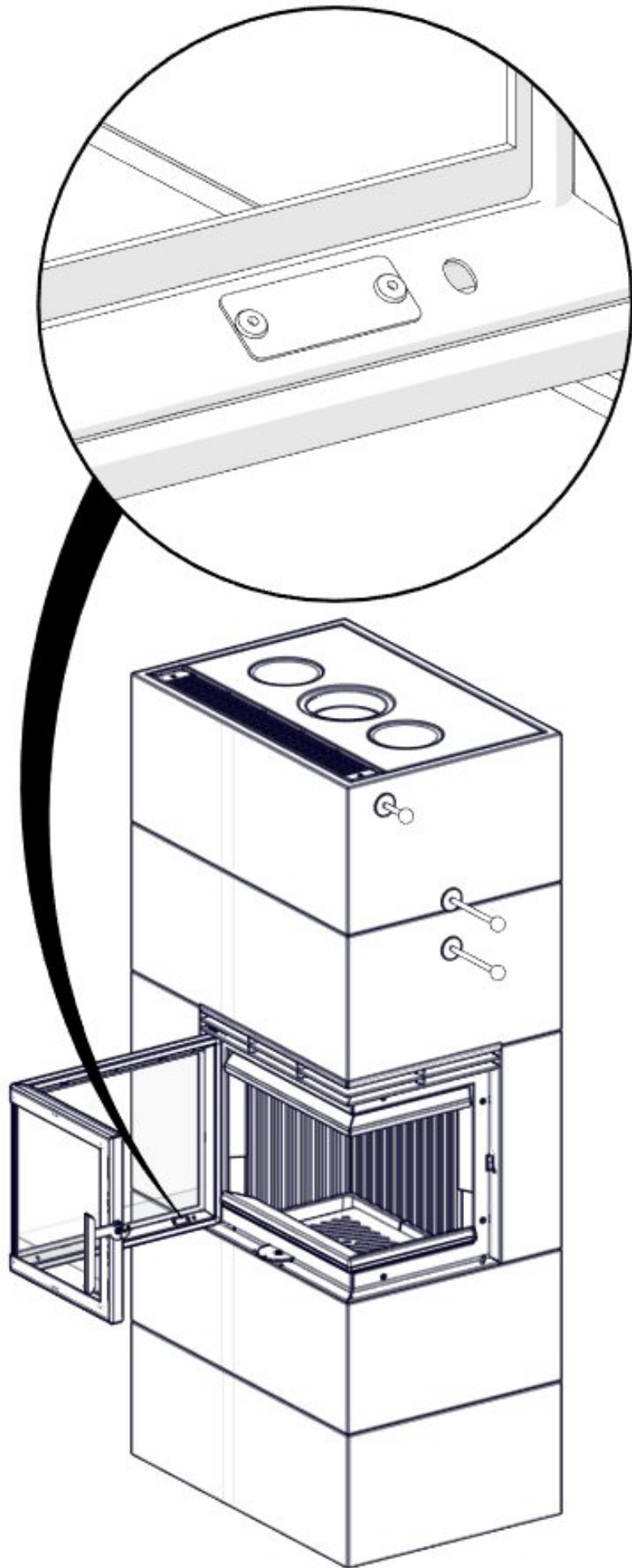
The serial number is to be found on a white or green sticker placed on a type label on one of the pallet sides, table of delivery, manual instruction and on one of the surround elements.

## **Accumulating stoves - surrounds parts**

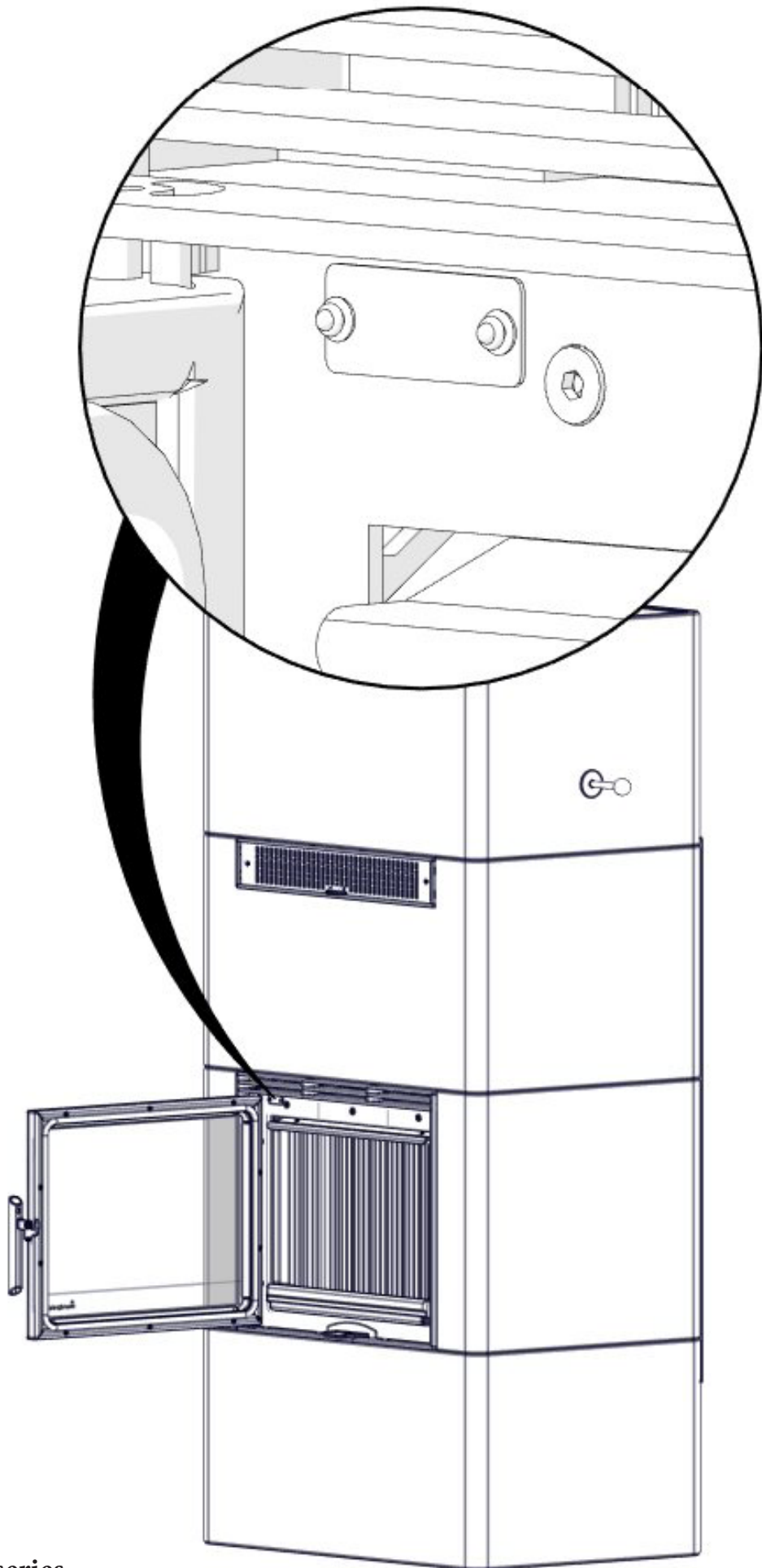
The serial number is to be found on the Warranty card and CE label as well as on a white or green sticker placed on a pallet side, table of delivery, manual instruction and one of the surround elements.

## **Accessories**

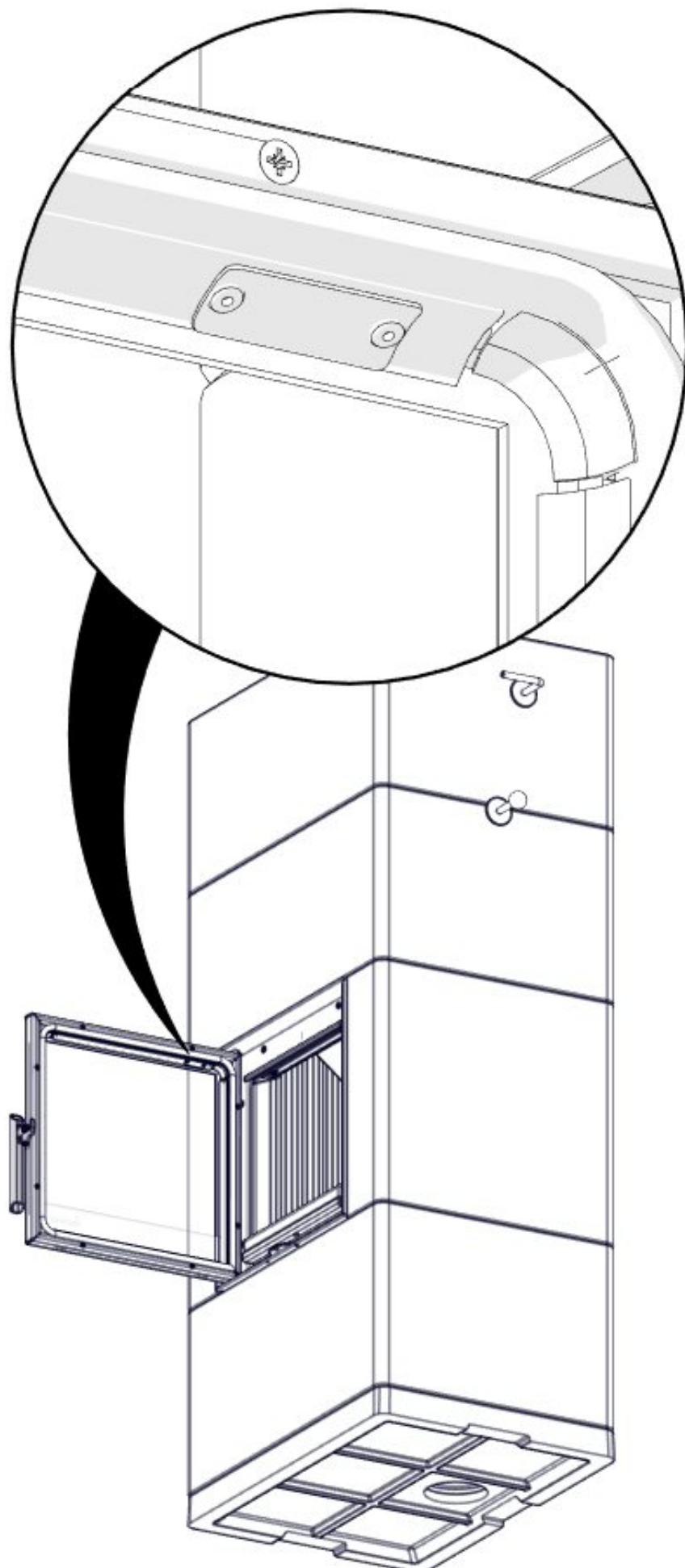
The serial number is to be found on a white or green sticker, placed on a type label and on the table of delivery.



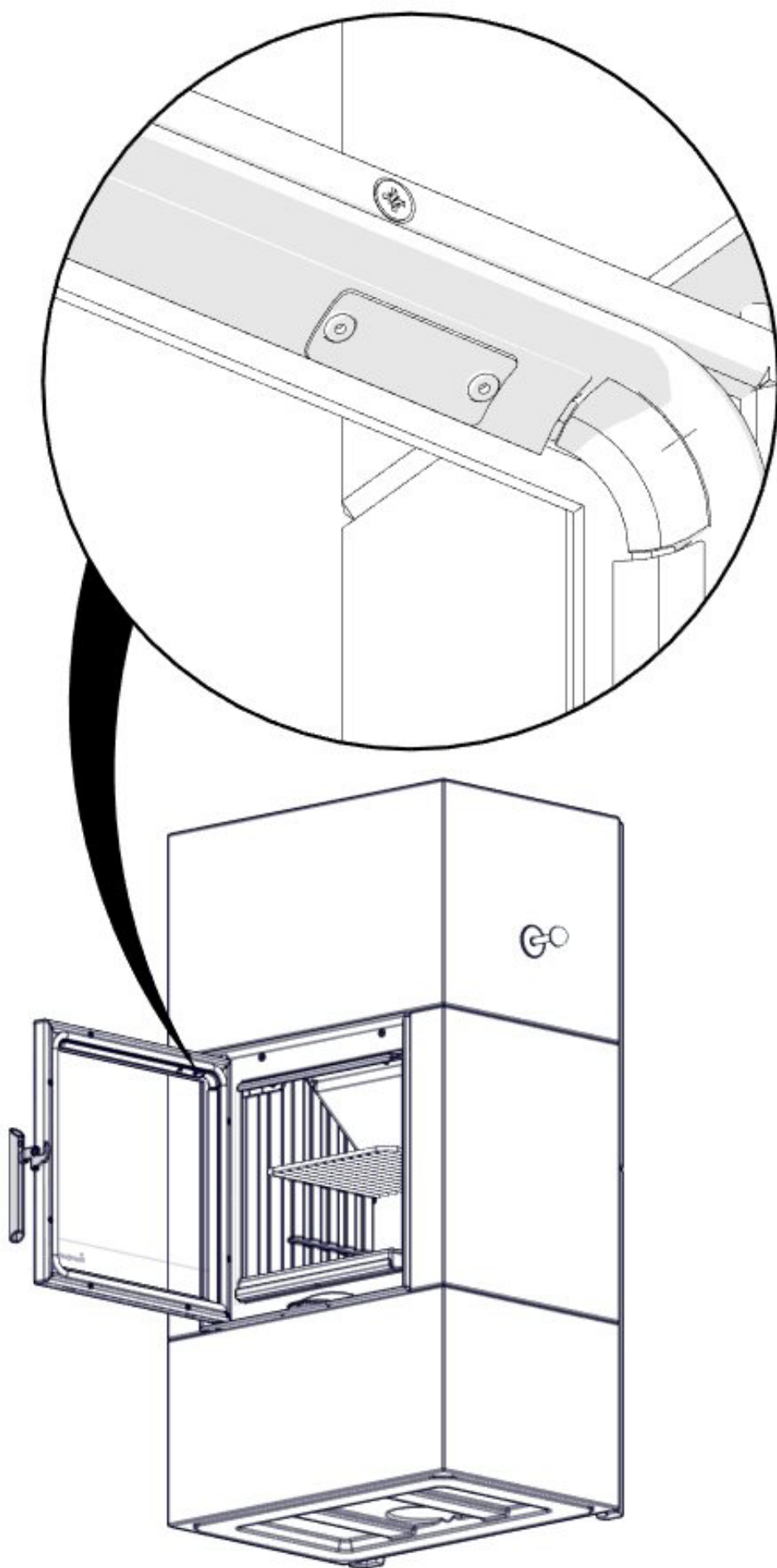
Salzburg C

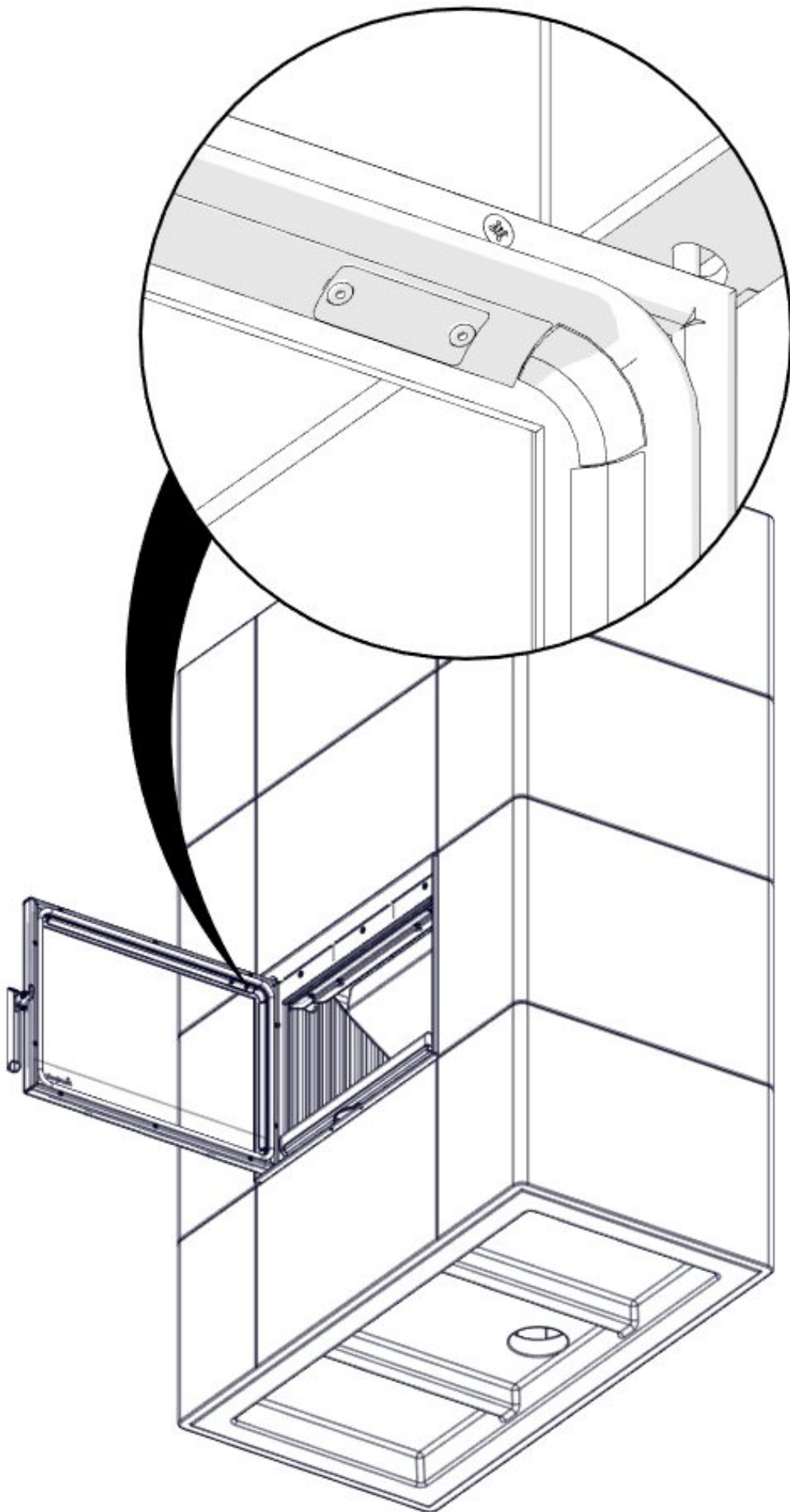


Salzburg L series



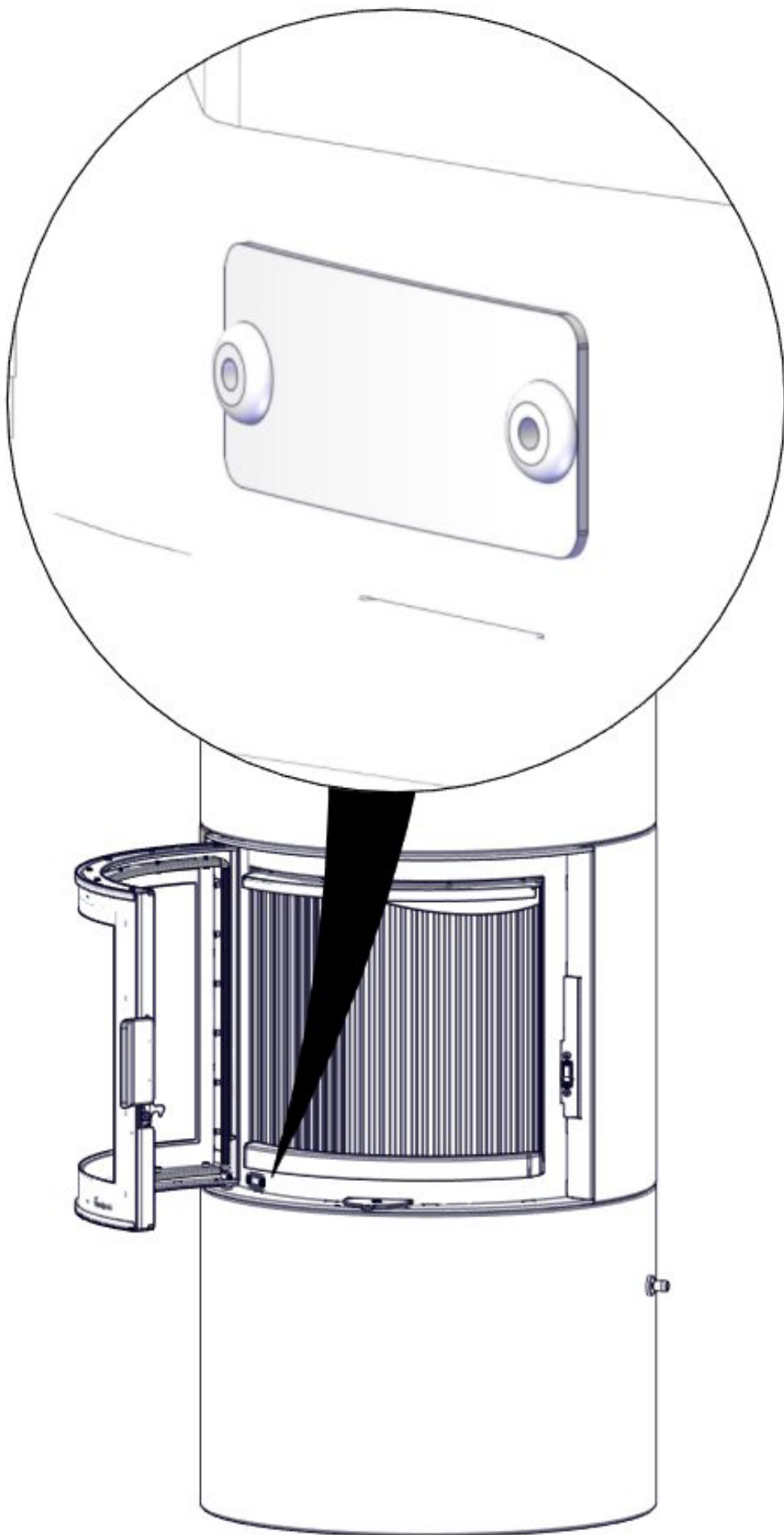
Salzburg M

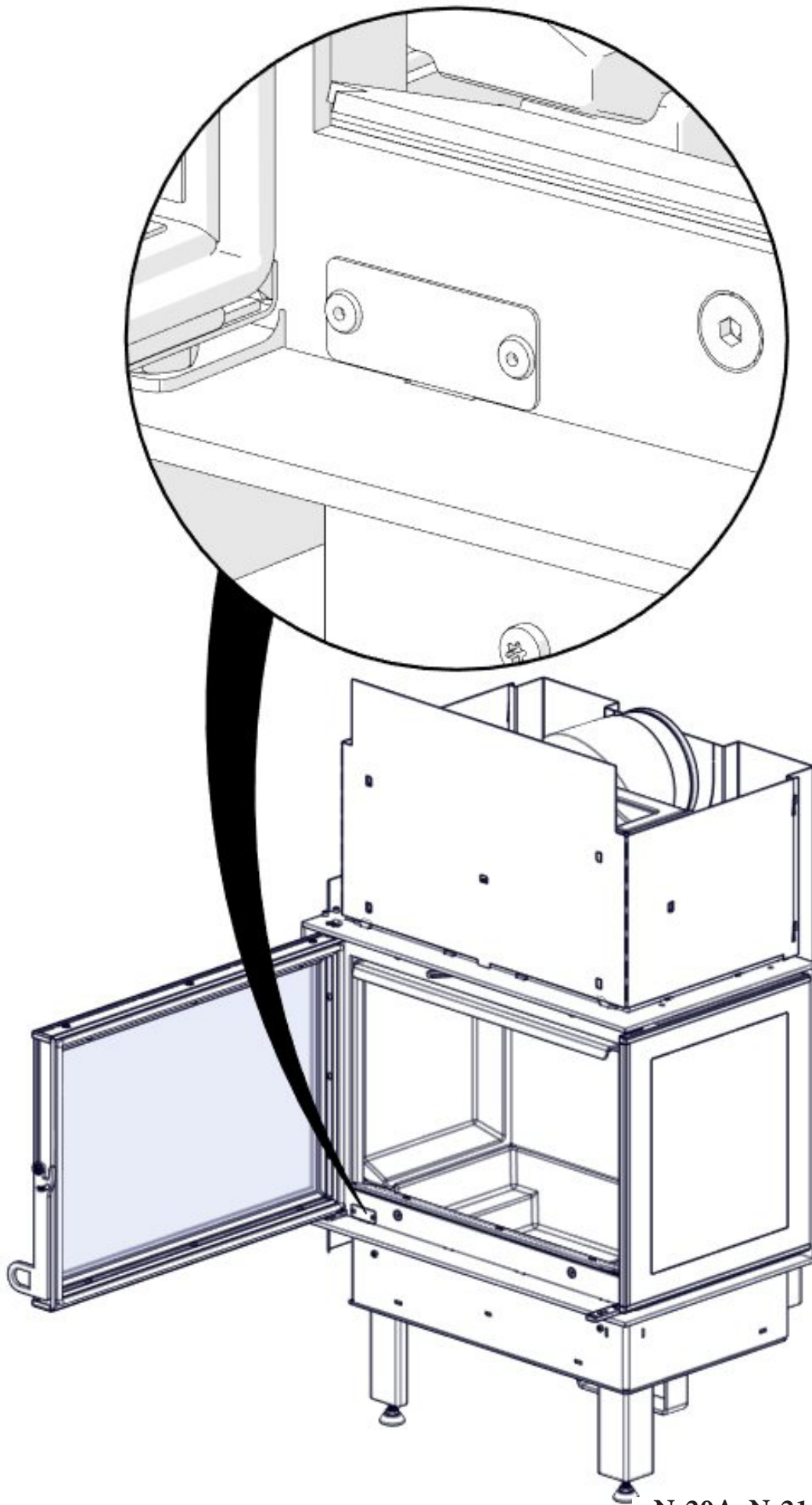




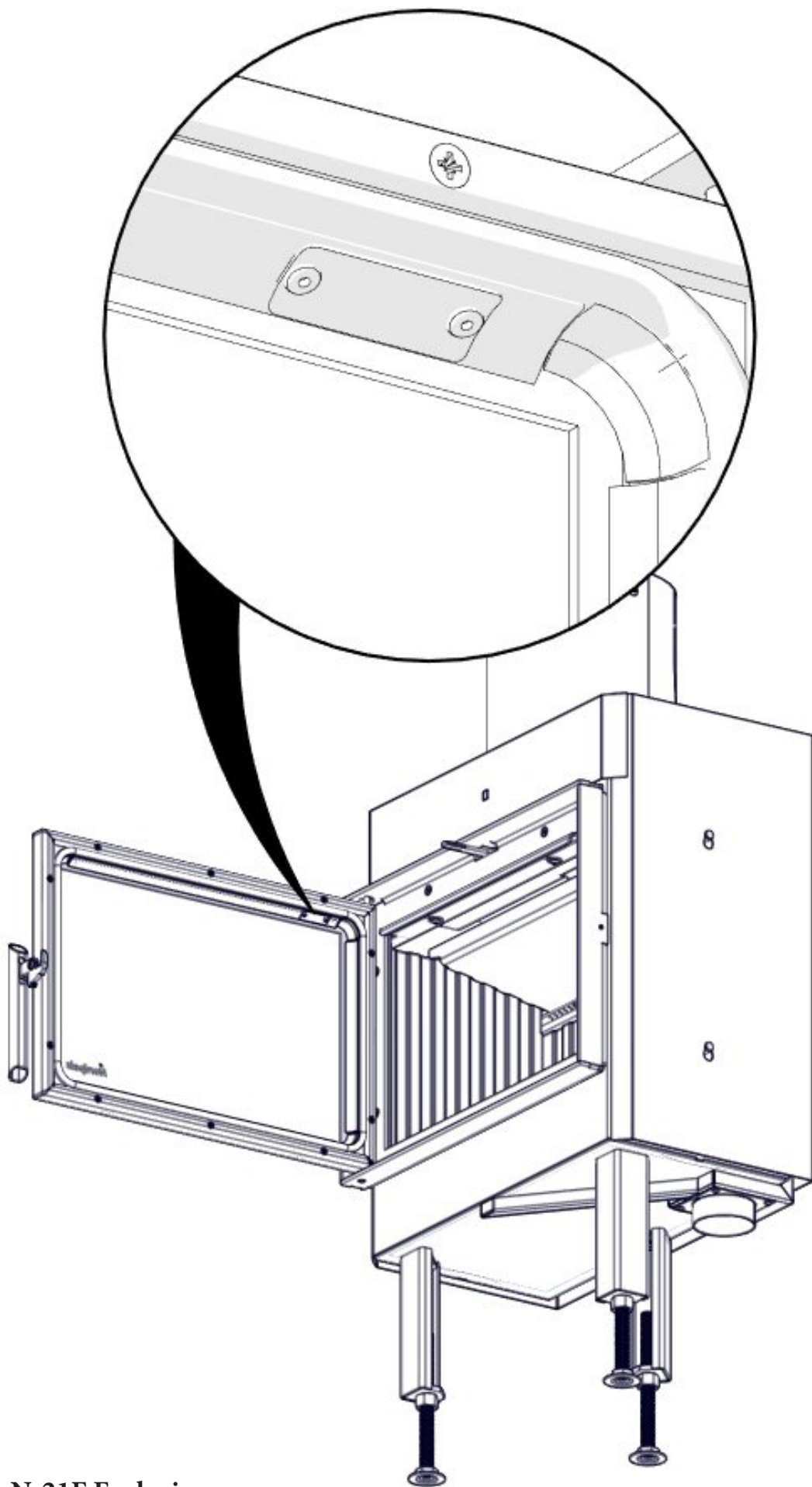
Salzburg XL



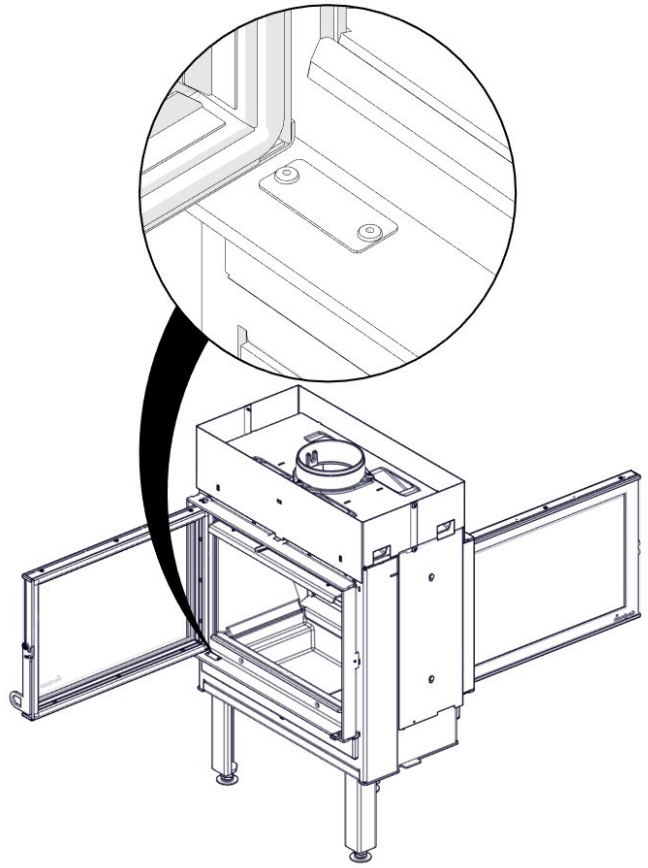
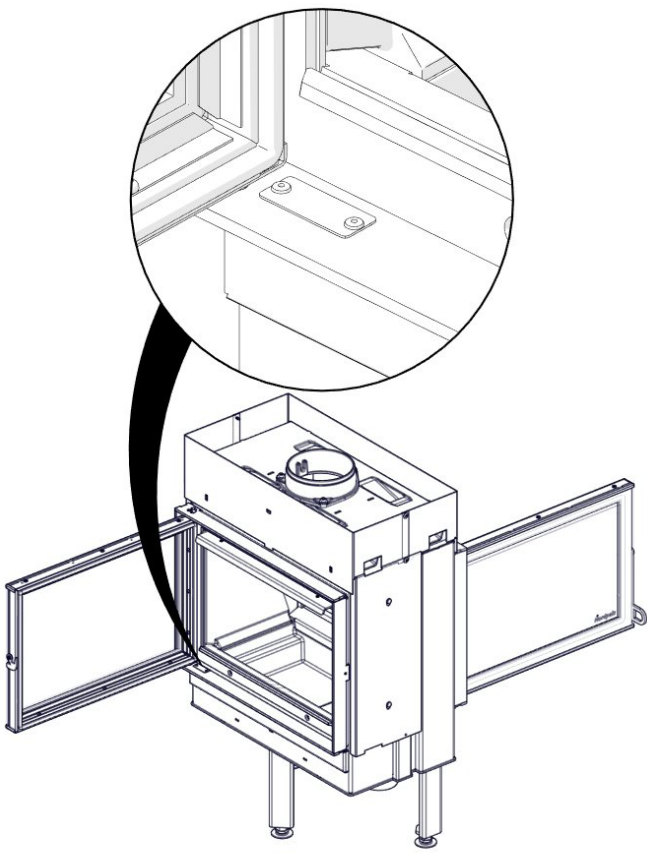




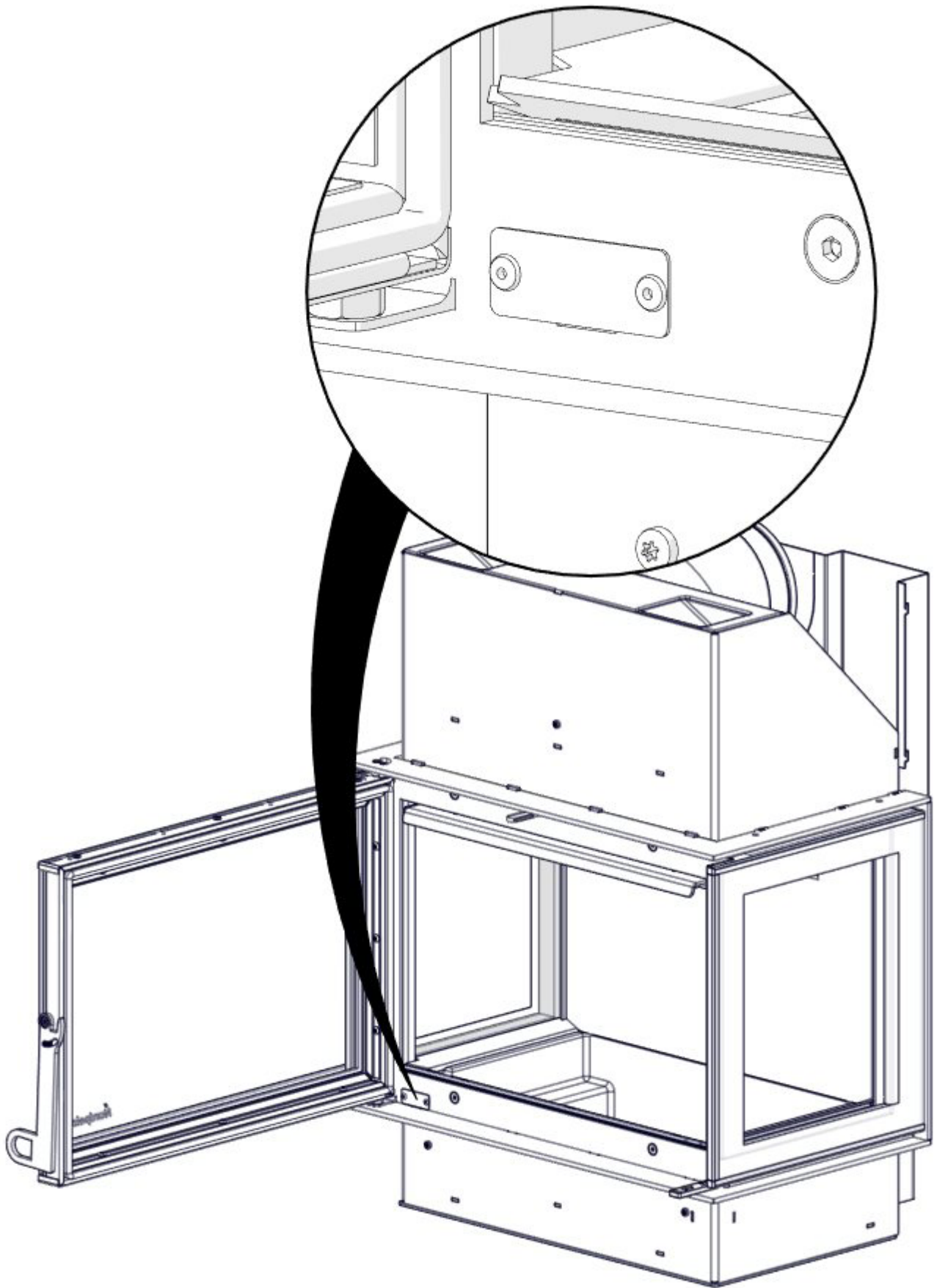
N-20A, N-21A Exclusive



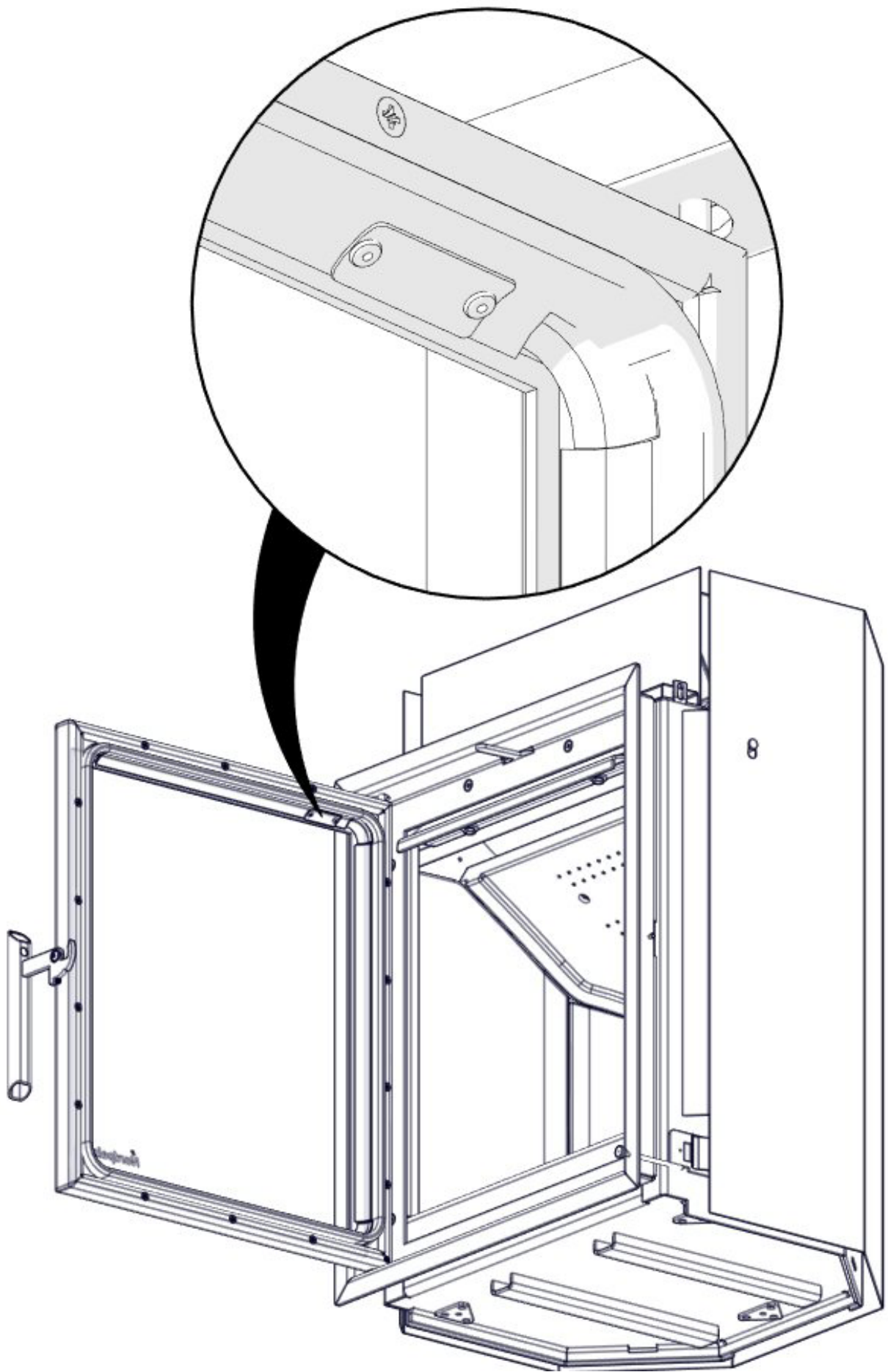
N-20E, N-21F Exclusive



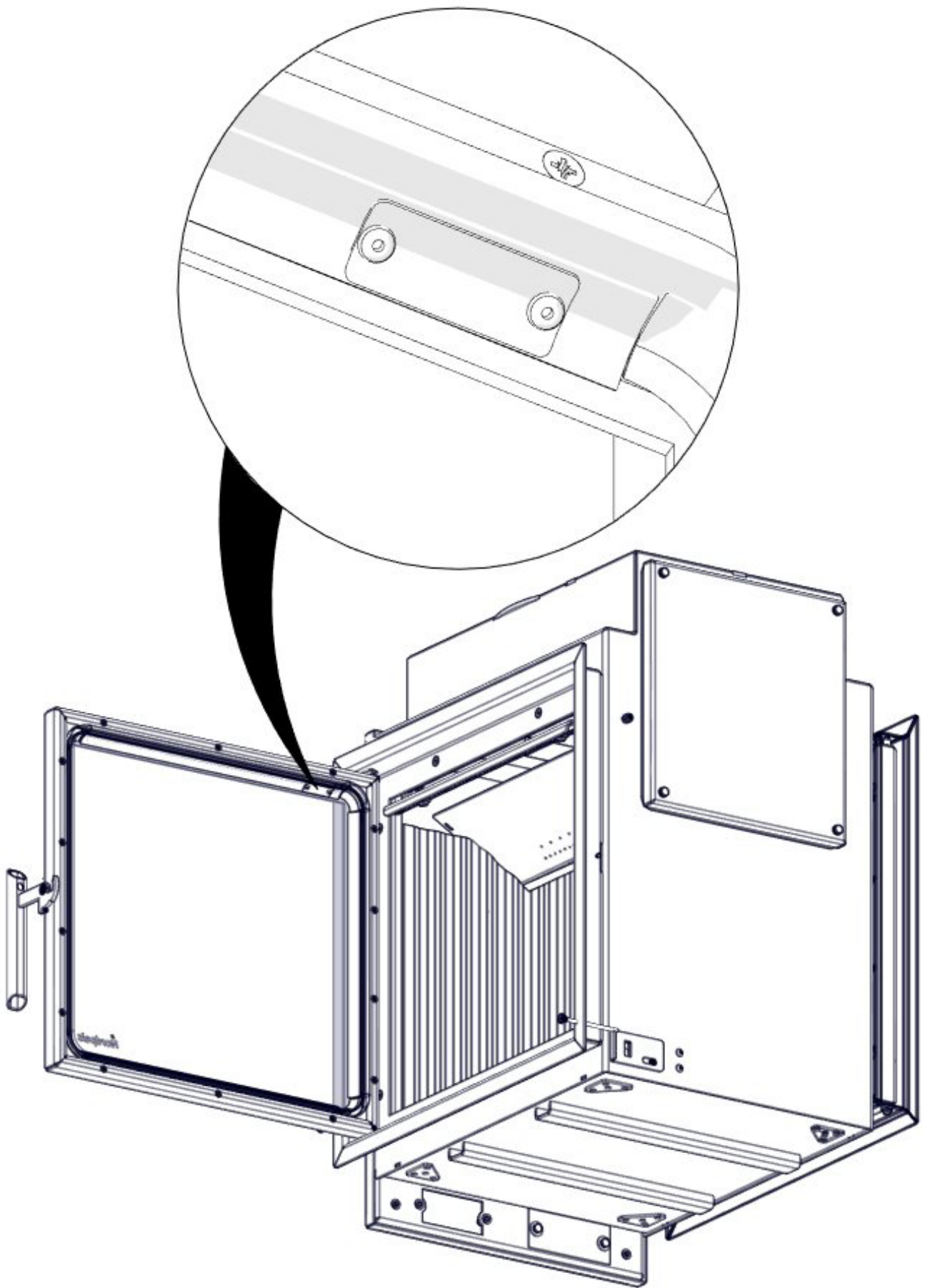
**N-20T, N-21T Exclusive**



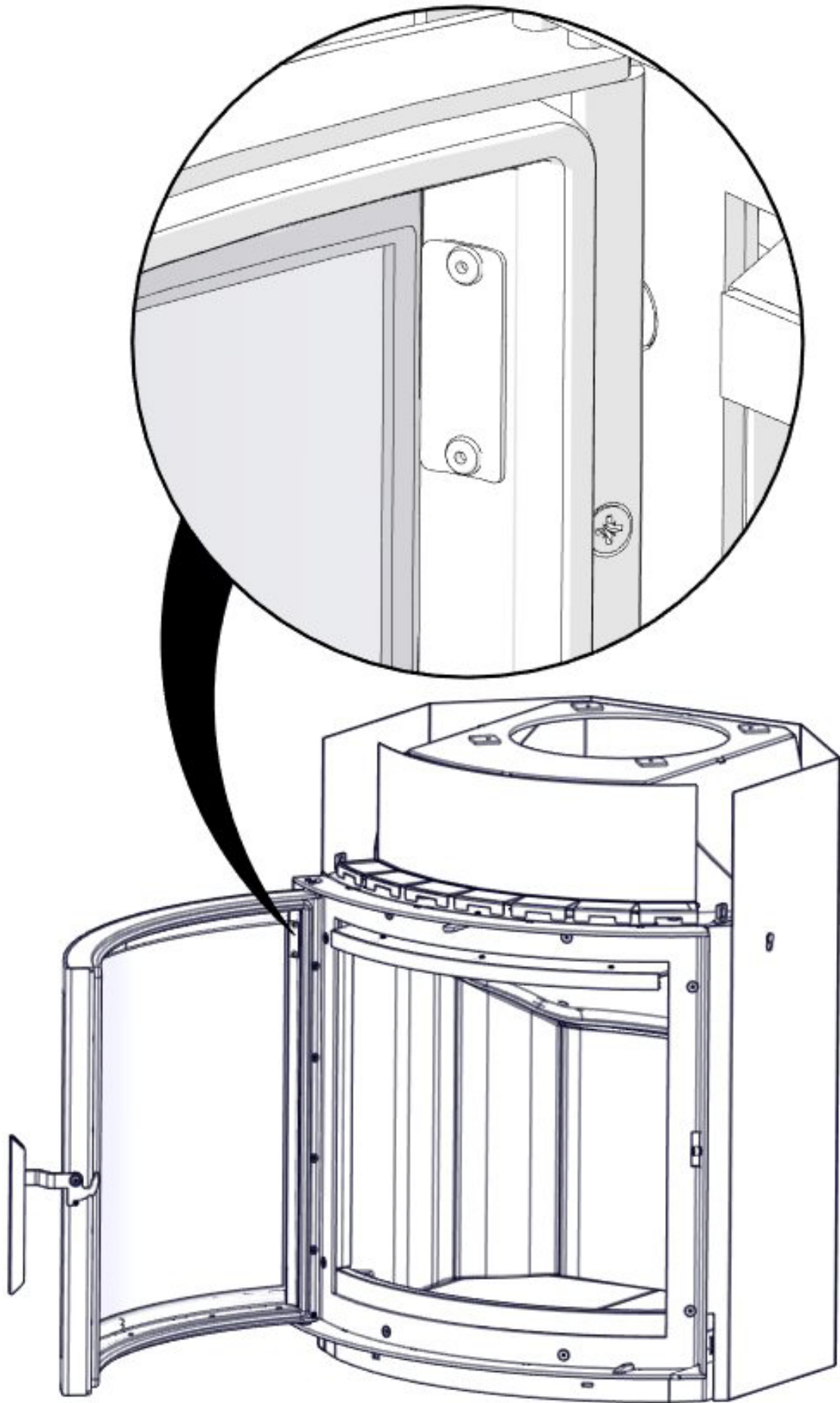
N-20U, N-21U Exclusive



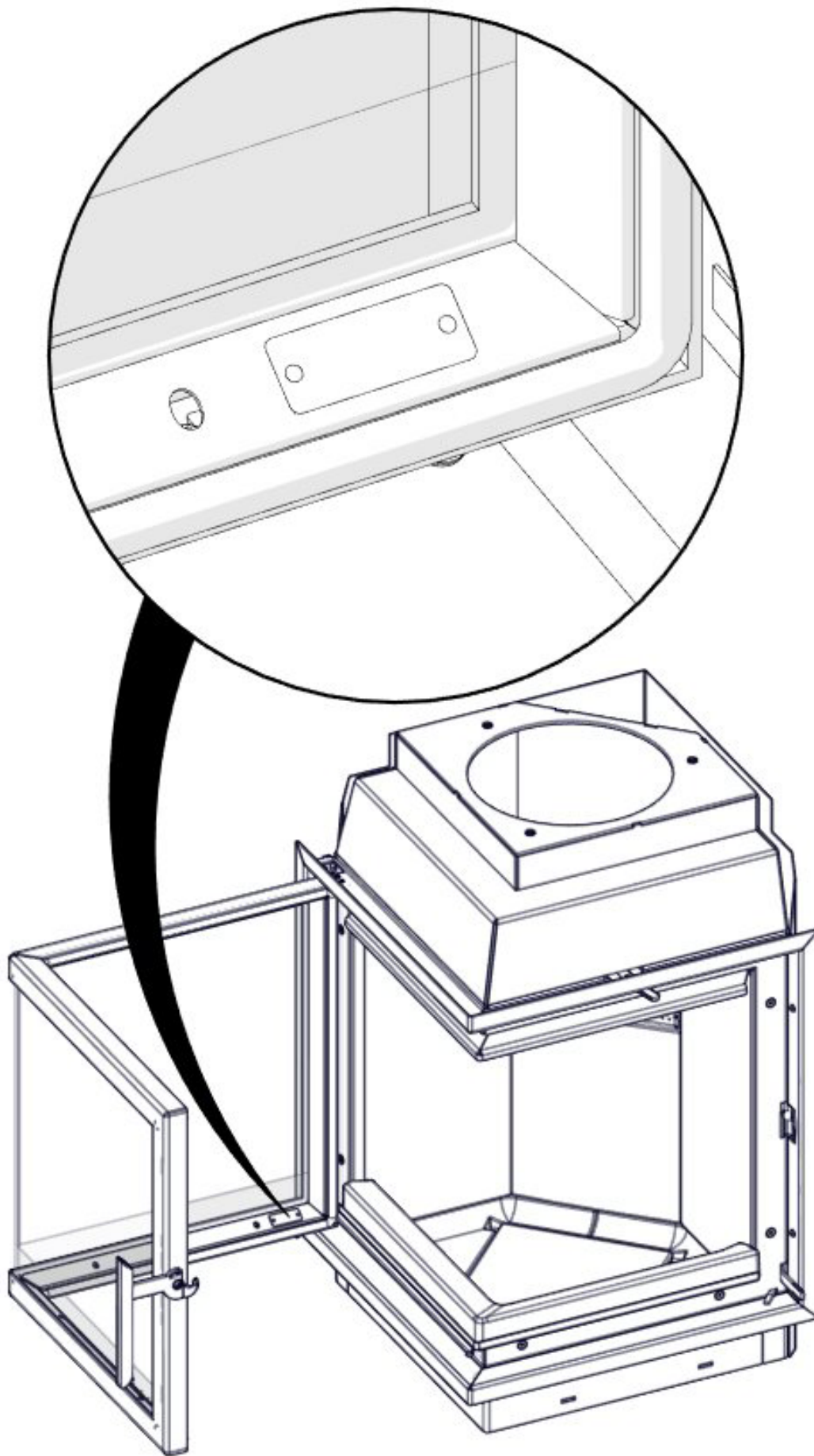
N-21



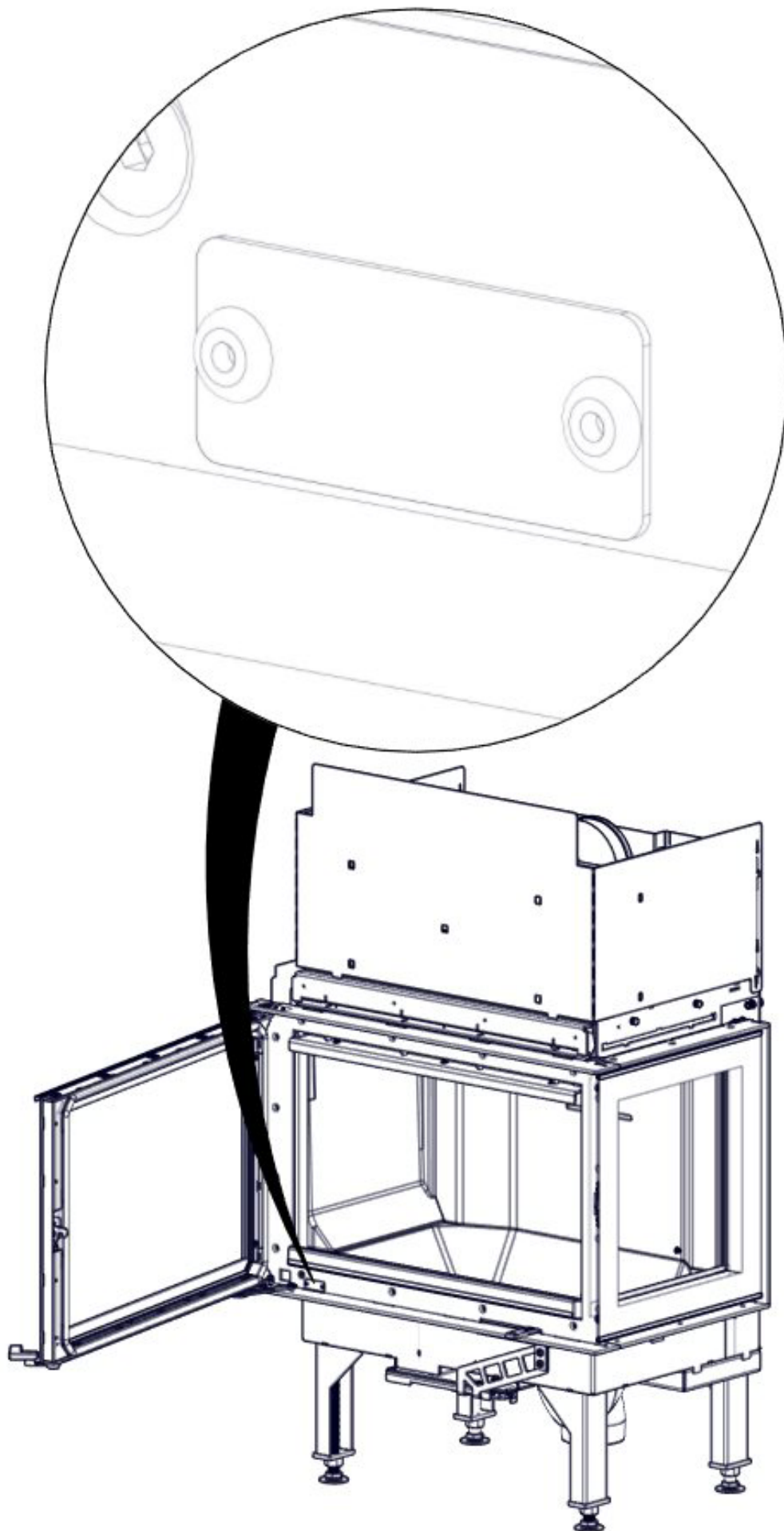
N-23G



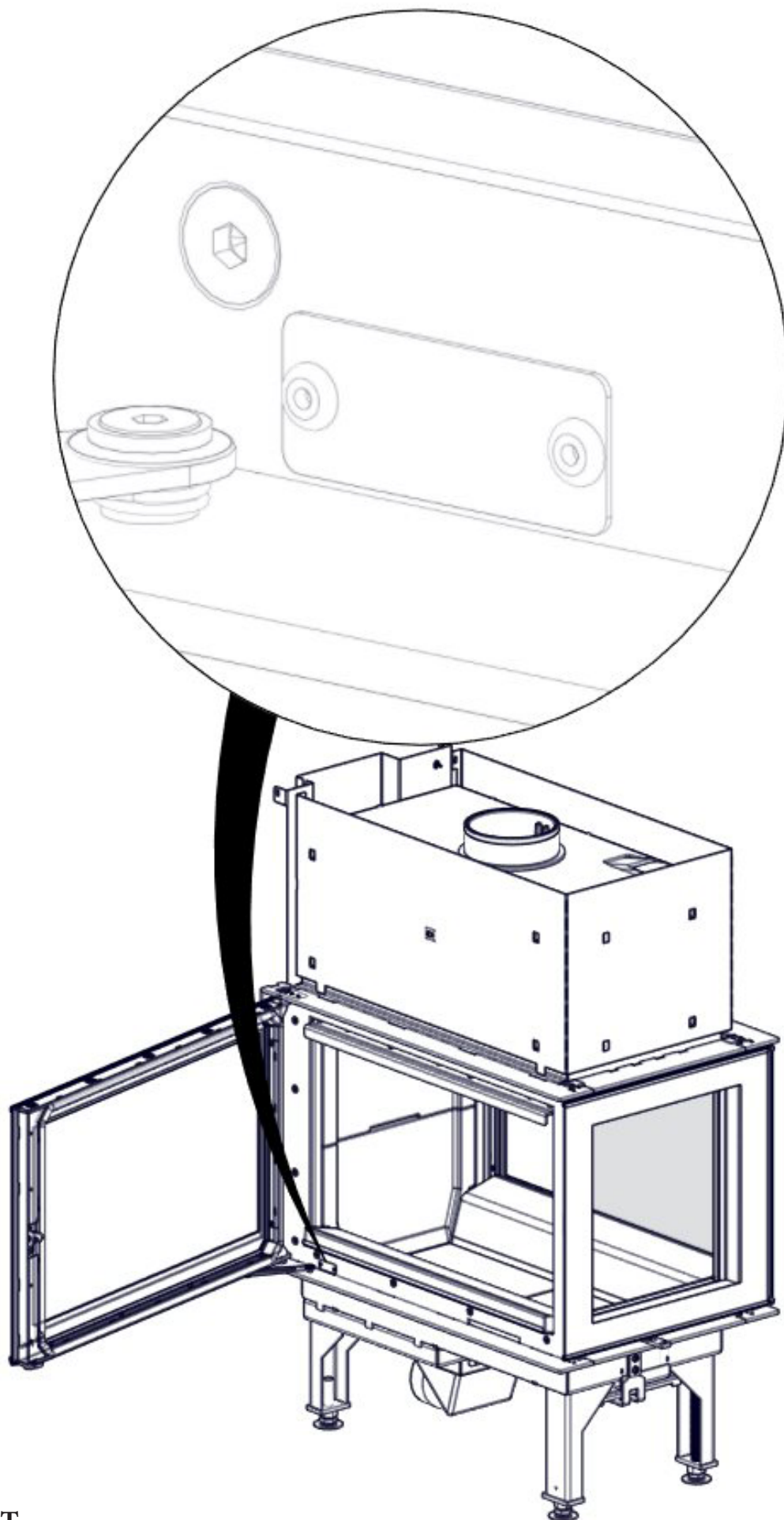




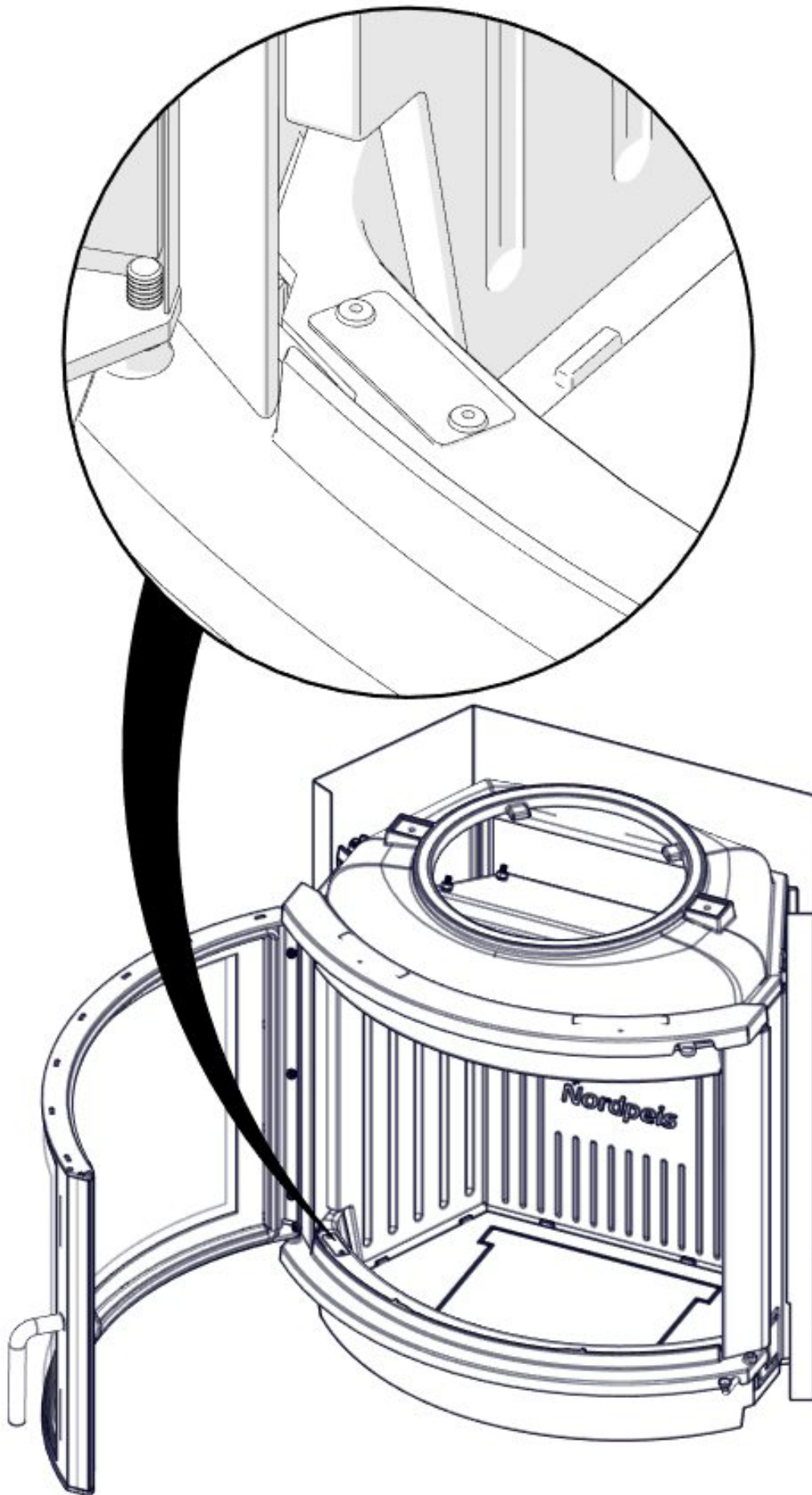
N-36A

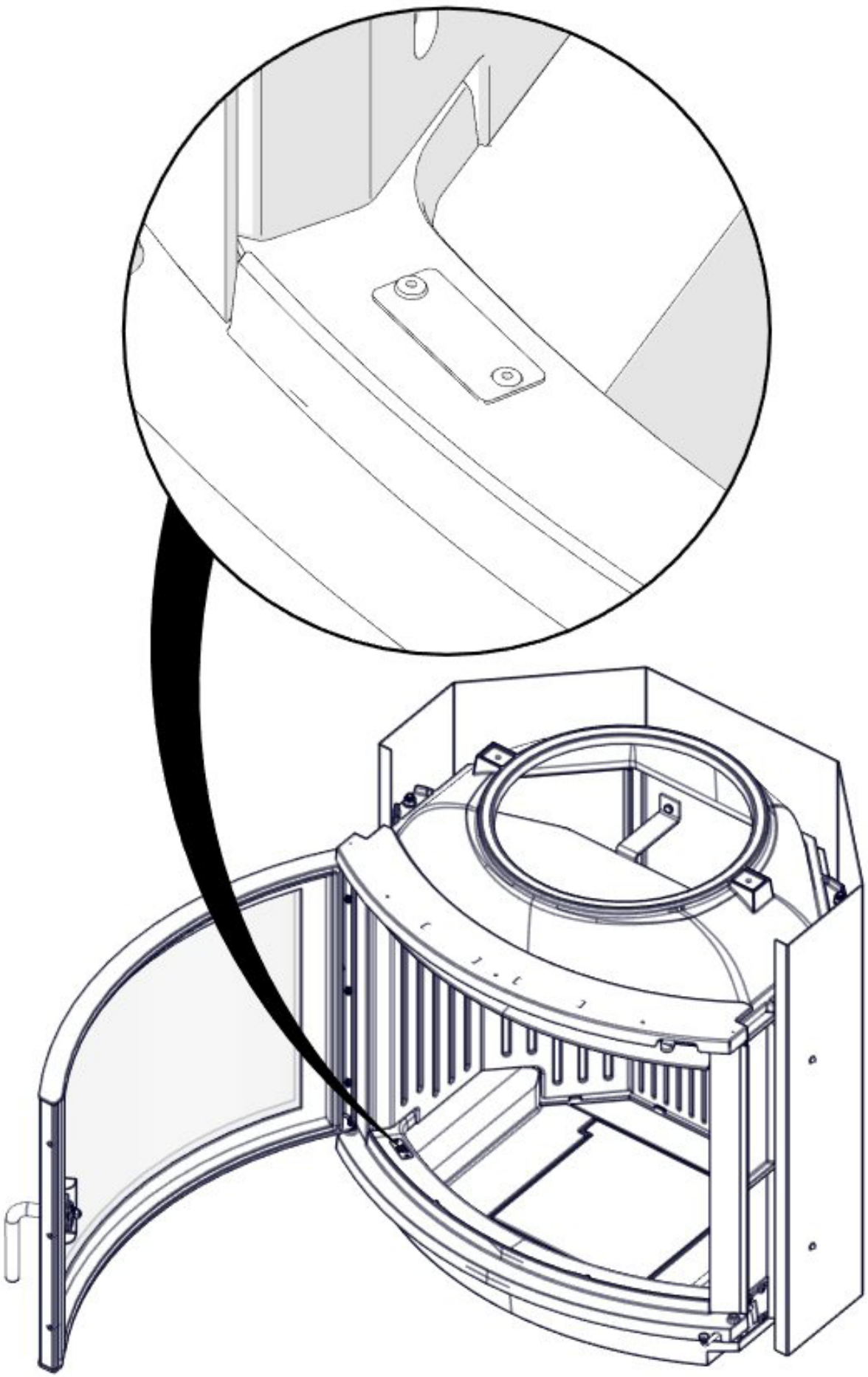


N-29U/A

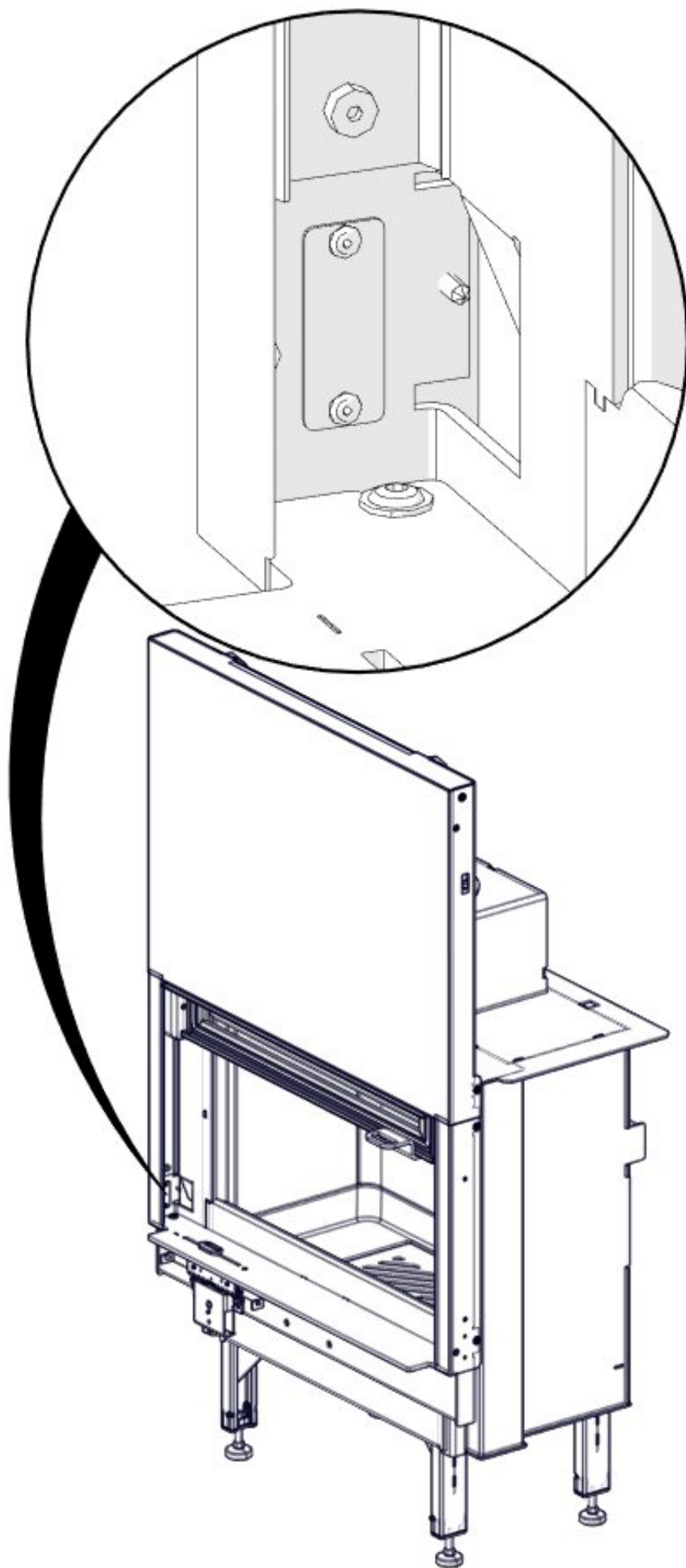


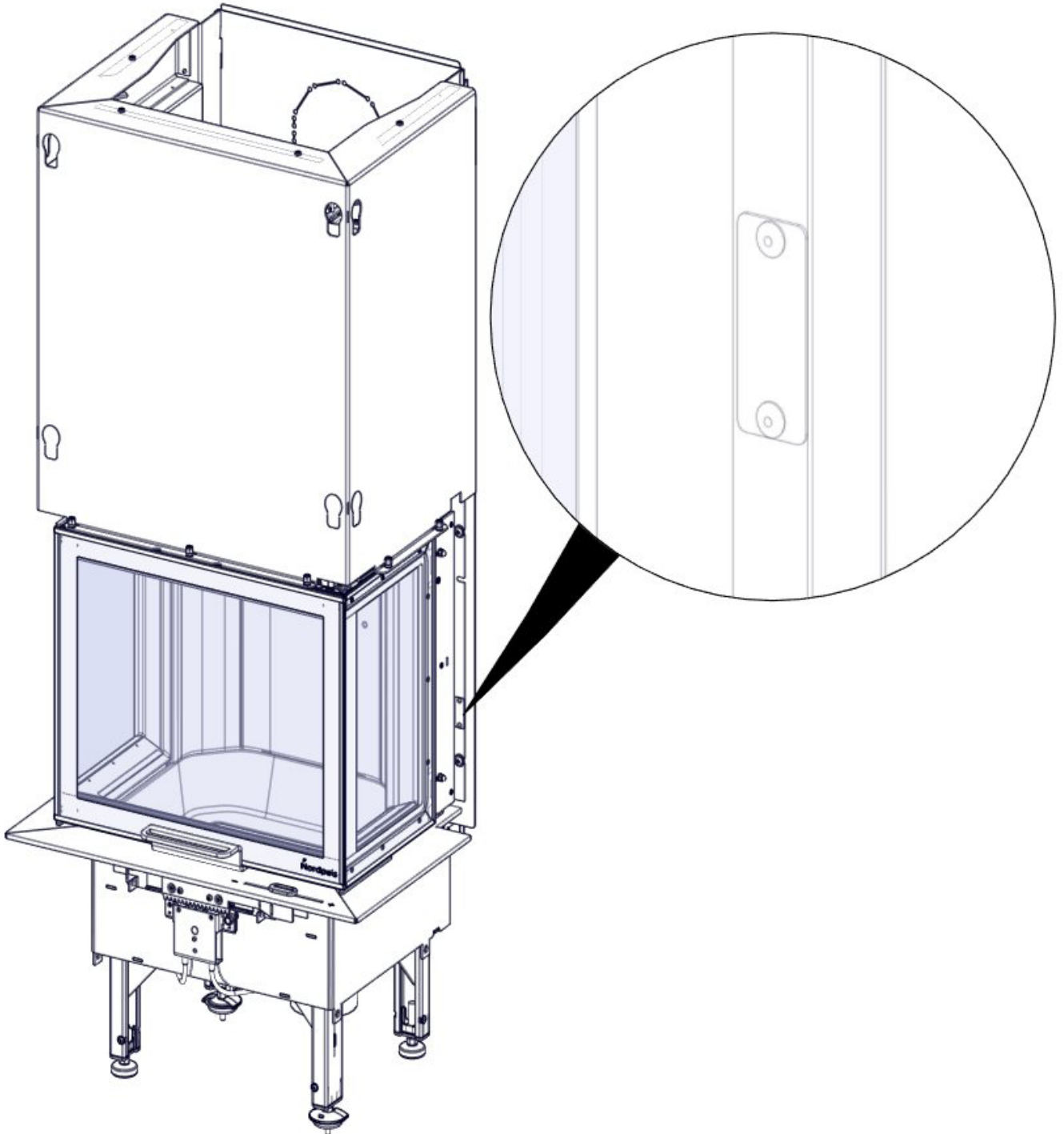
N-29P/T

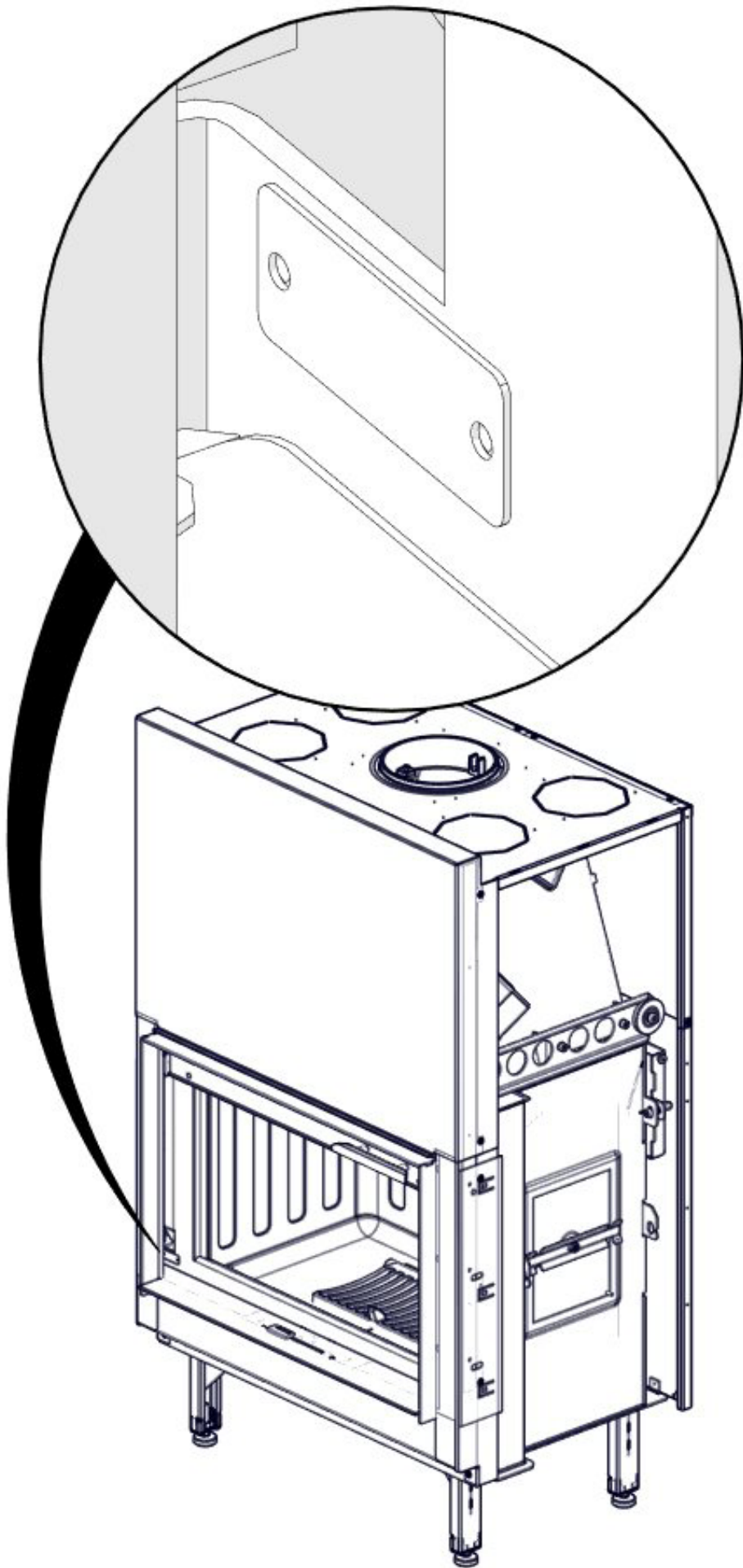




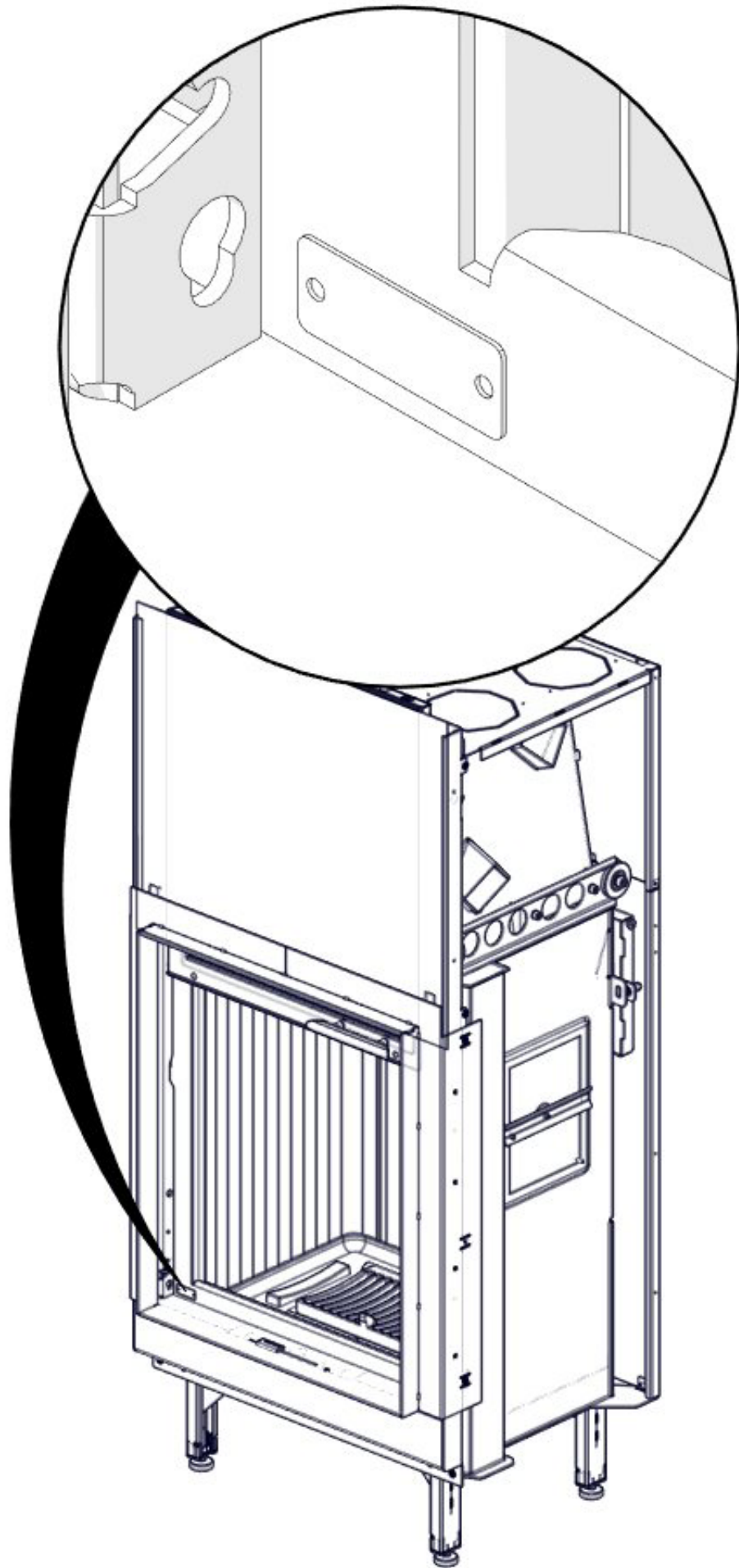
NI-25

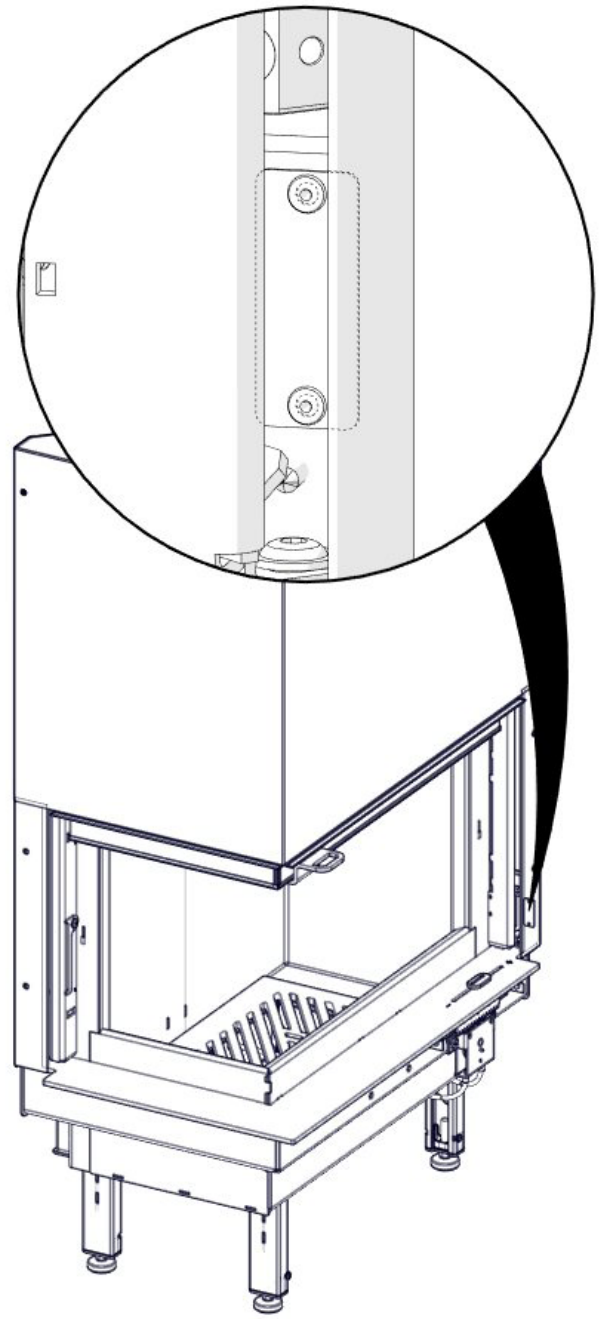
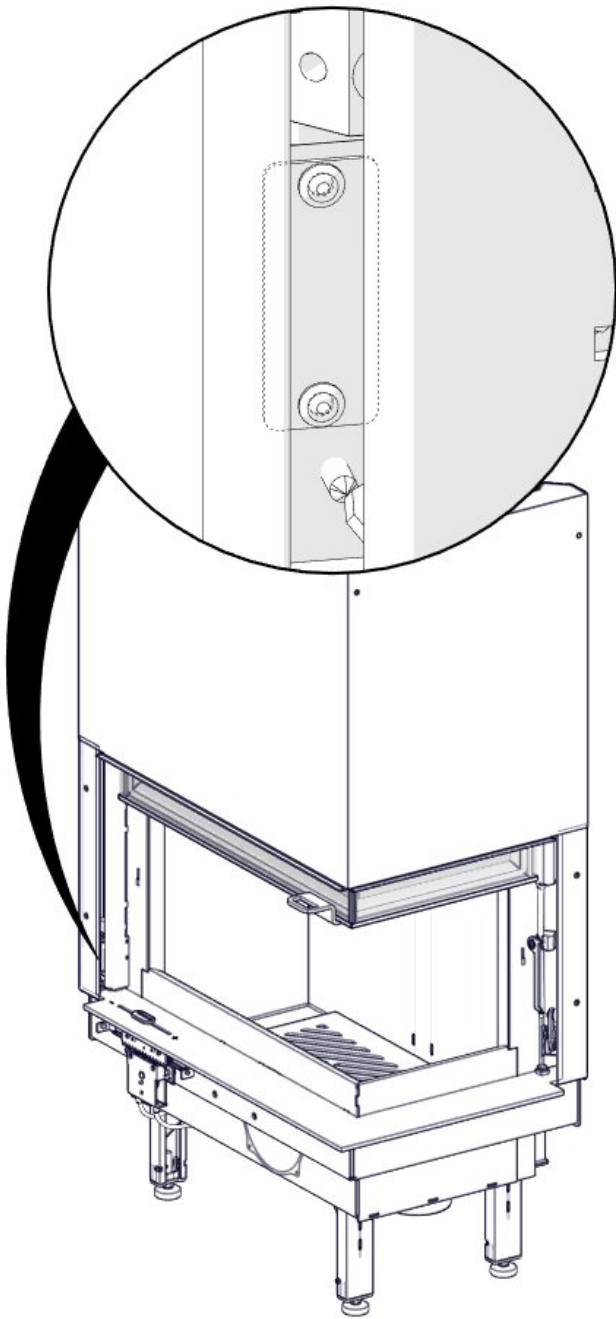




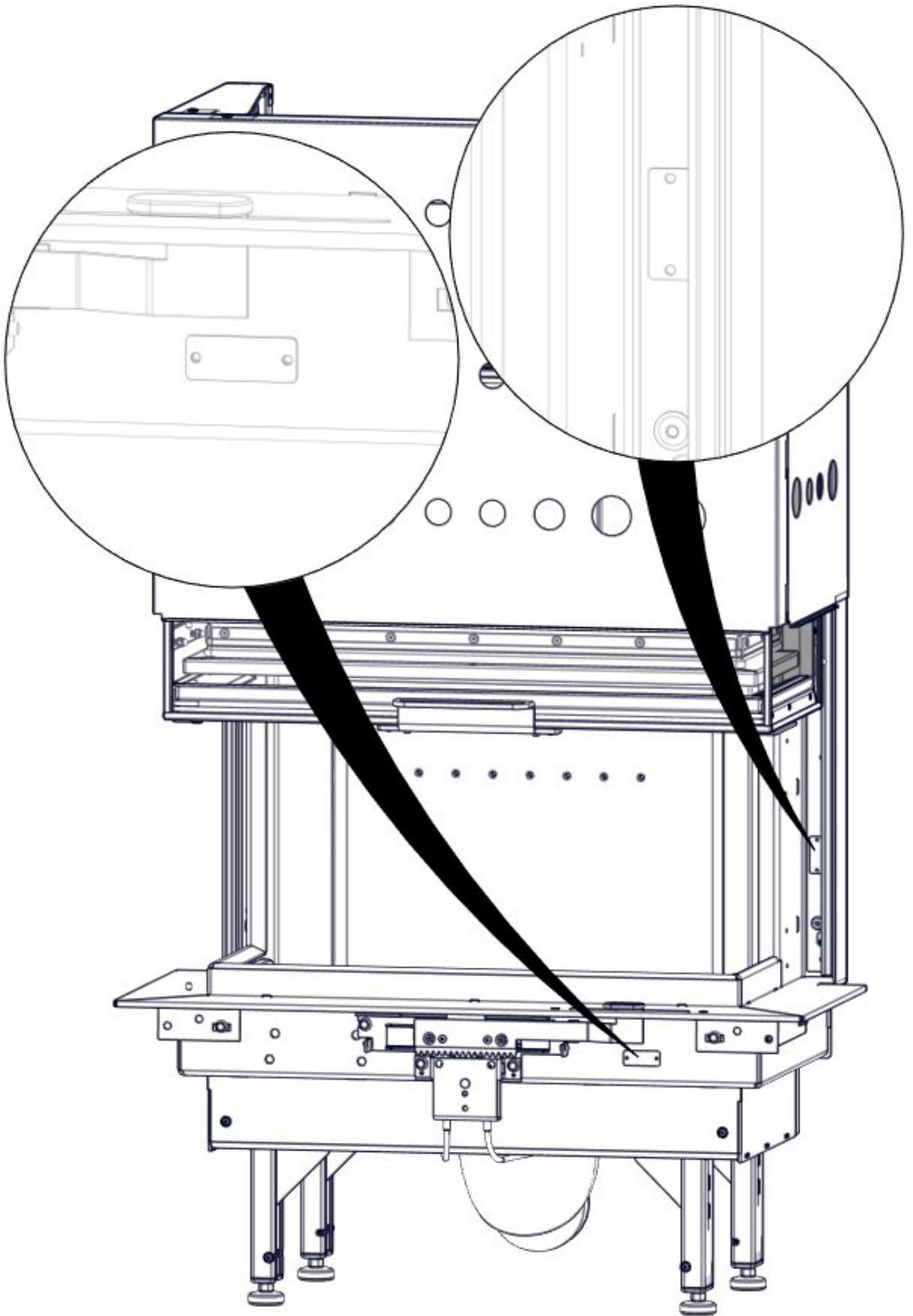




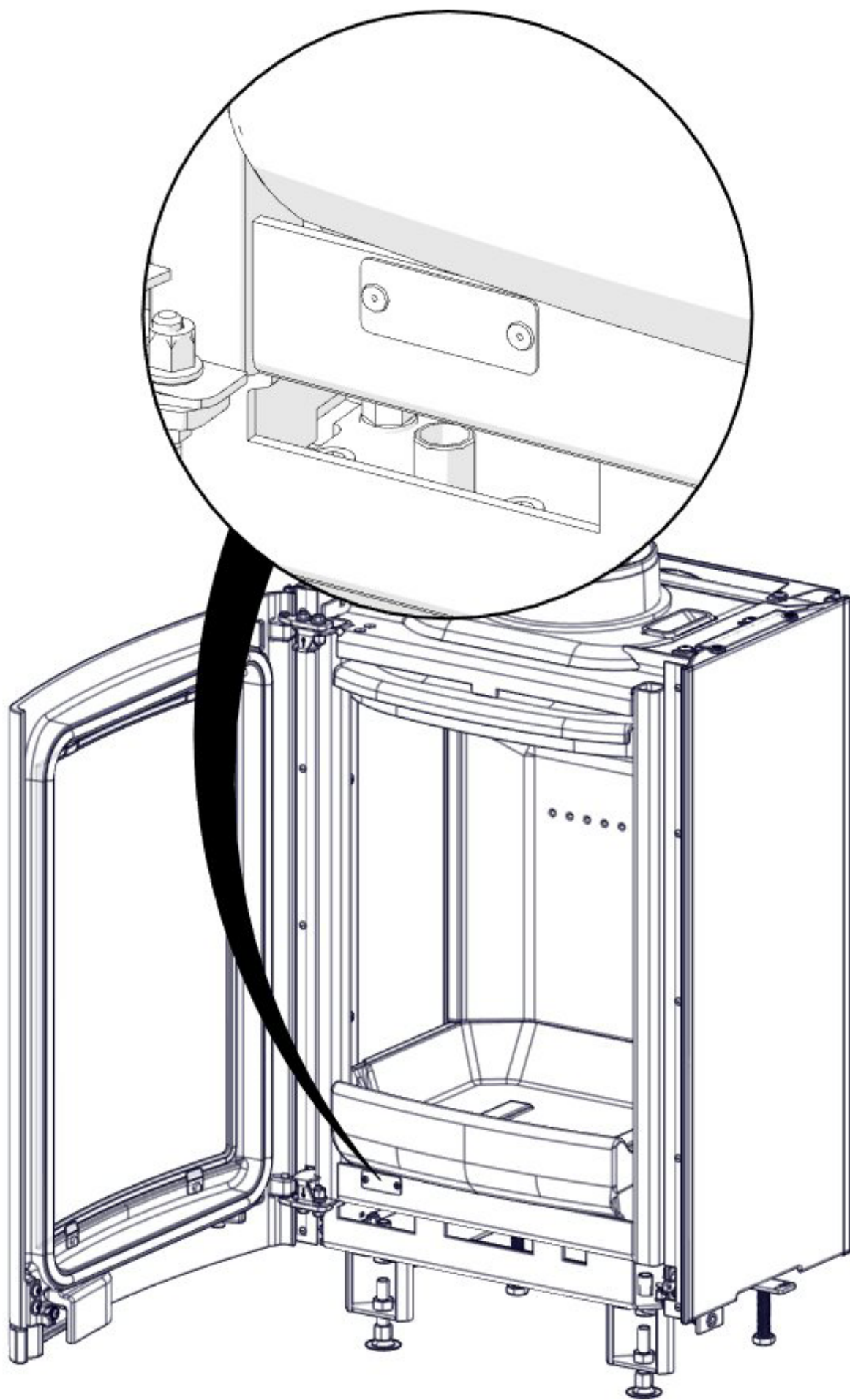




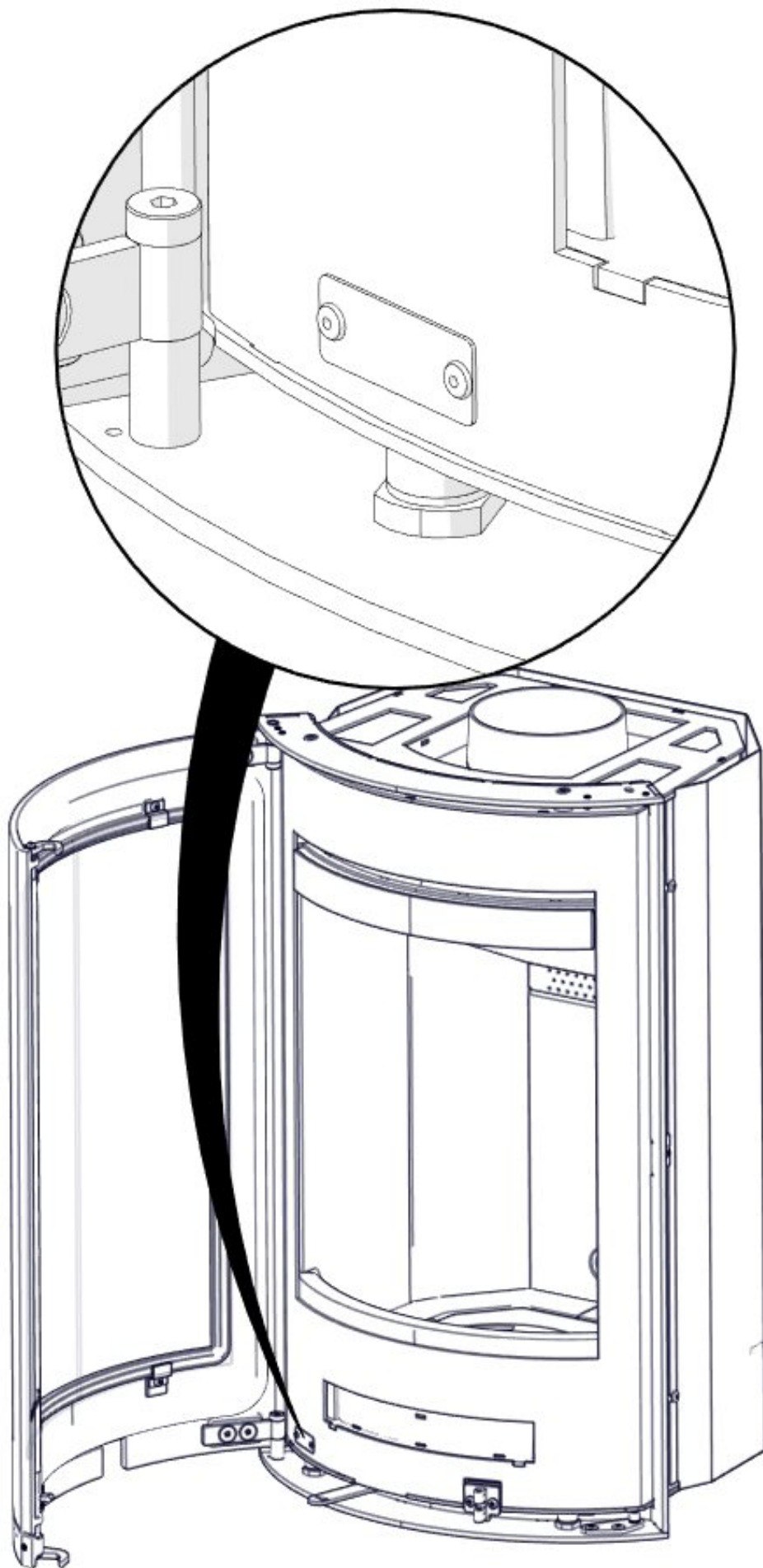
Q-34 AL



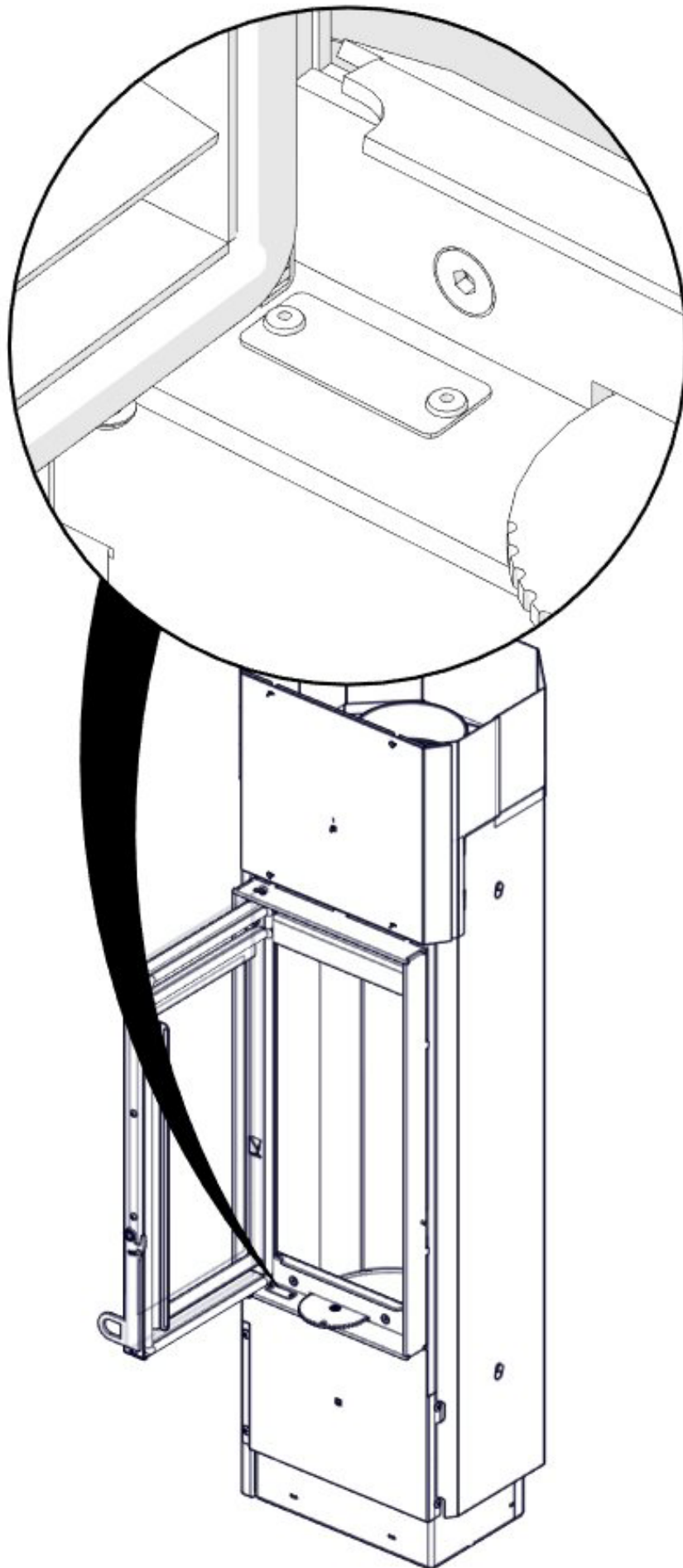
Q-34 UL



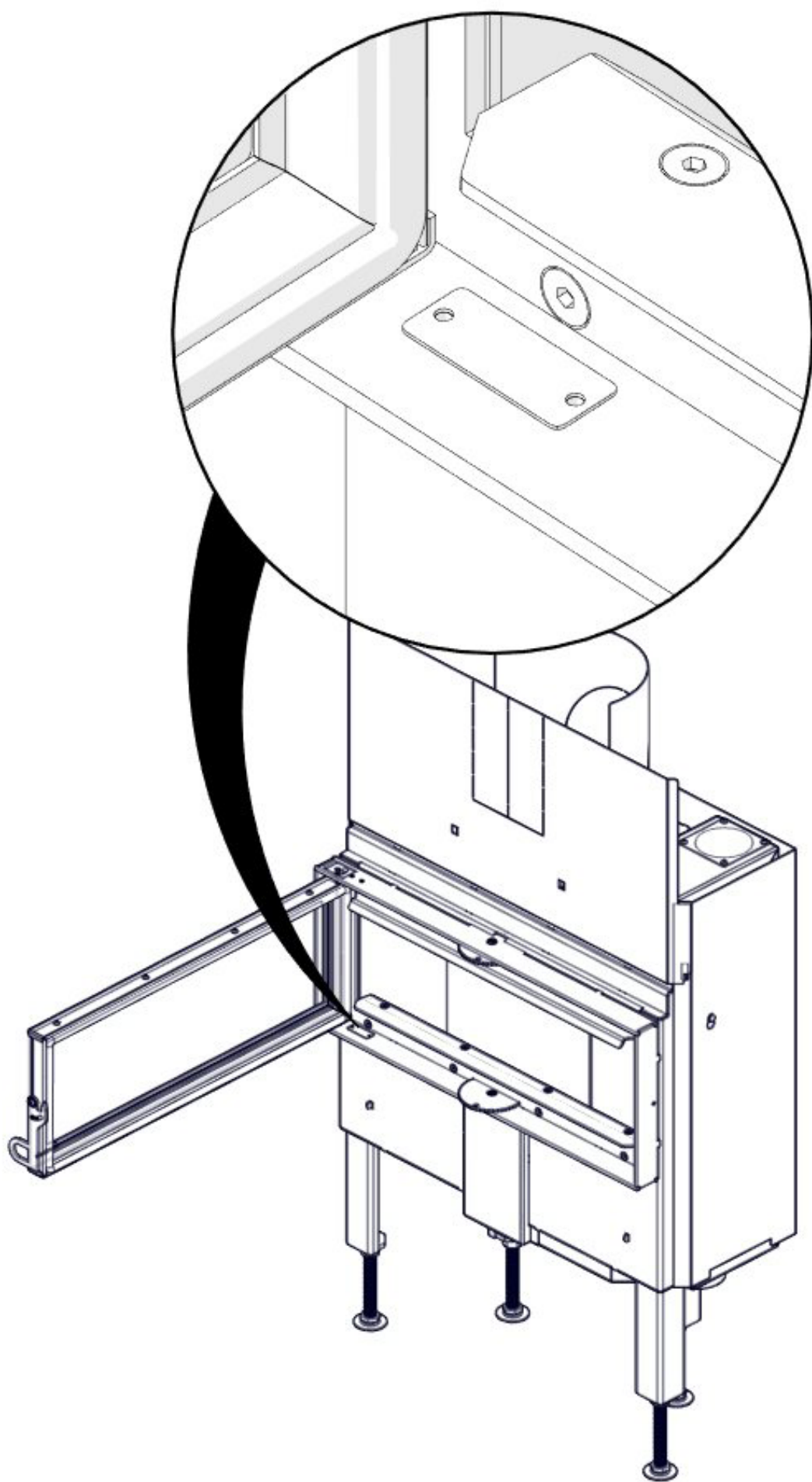
S-18E, S-18U



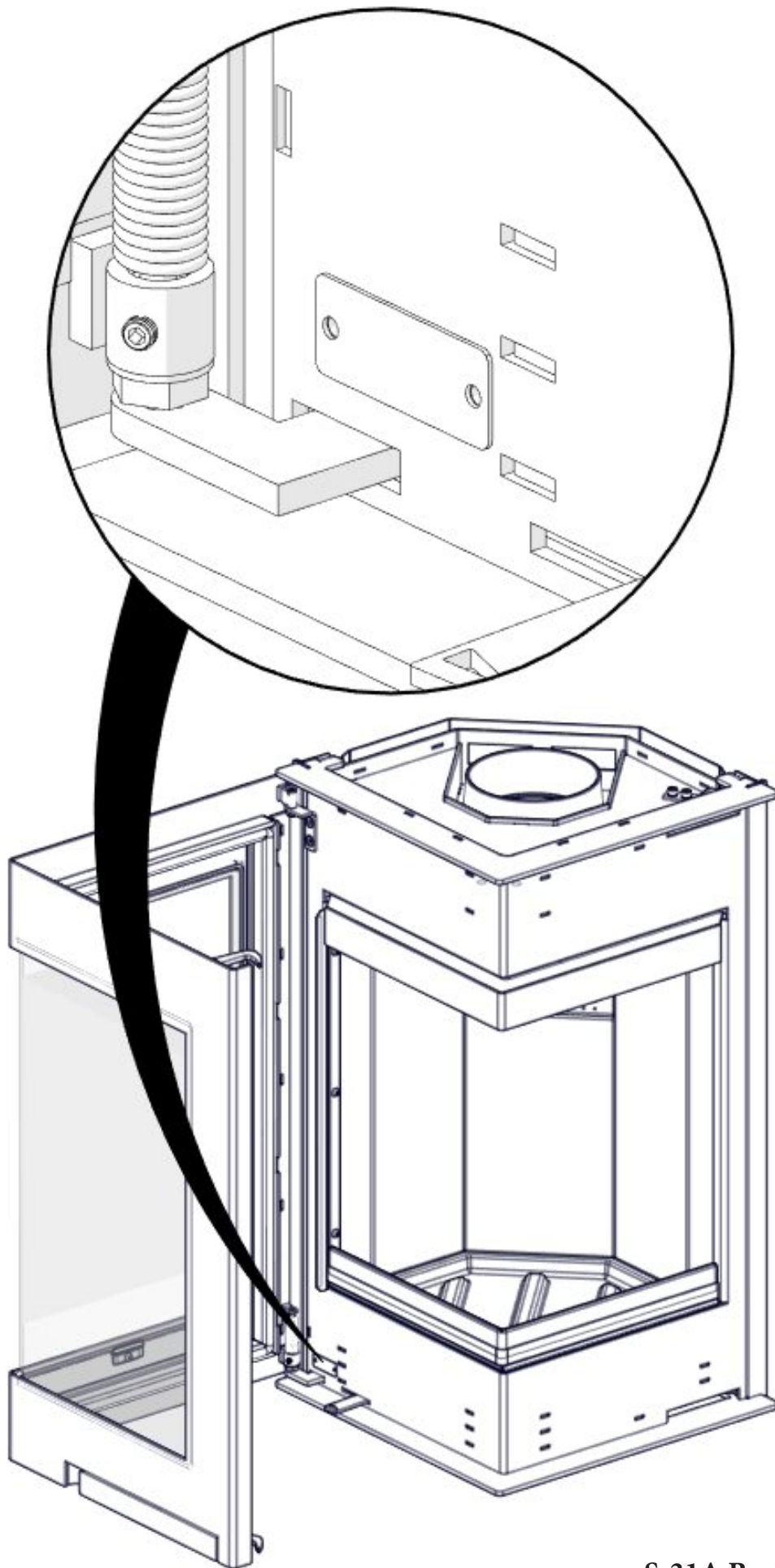
S-26R



X-20F

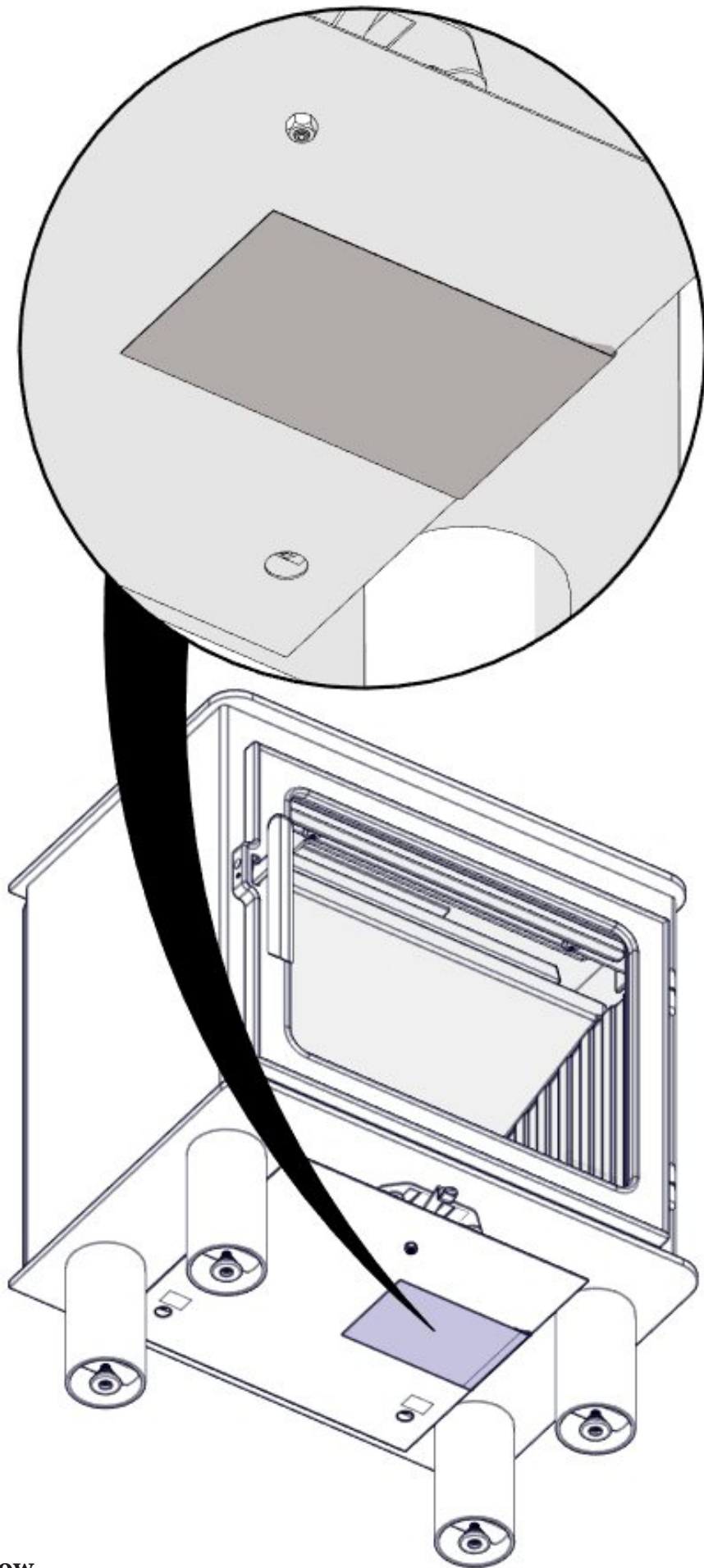


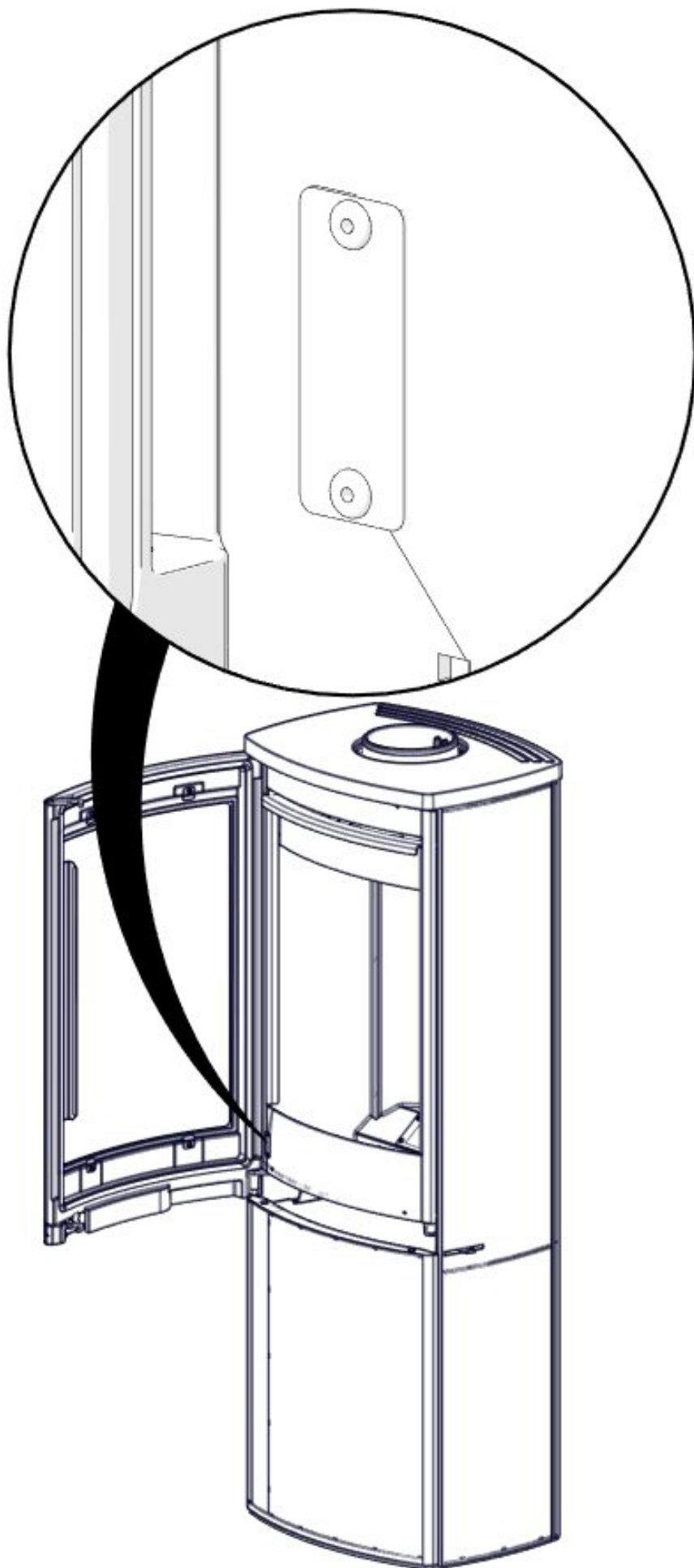
X-25F



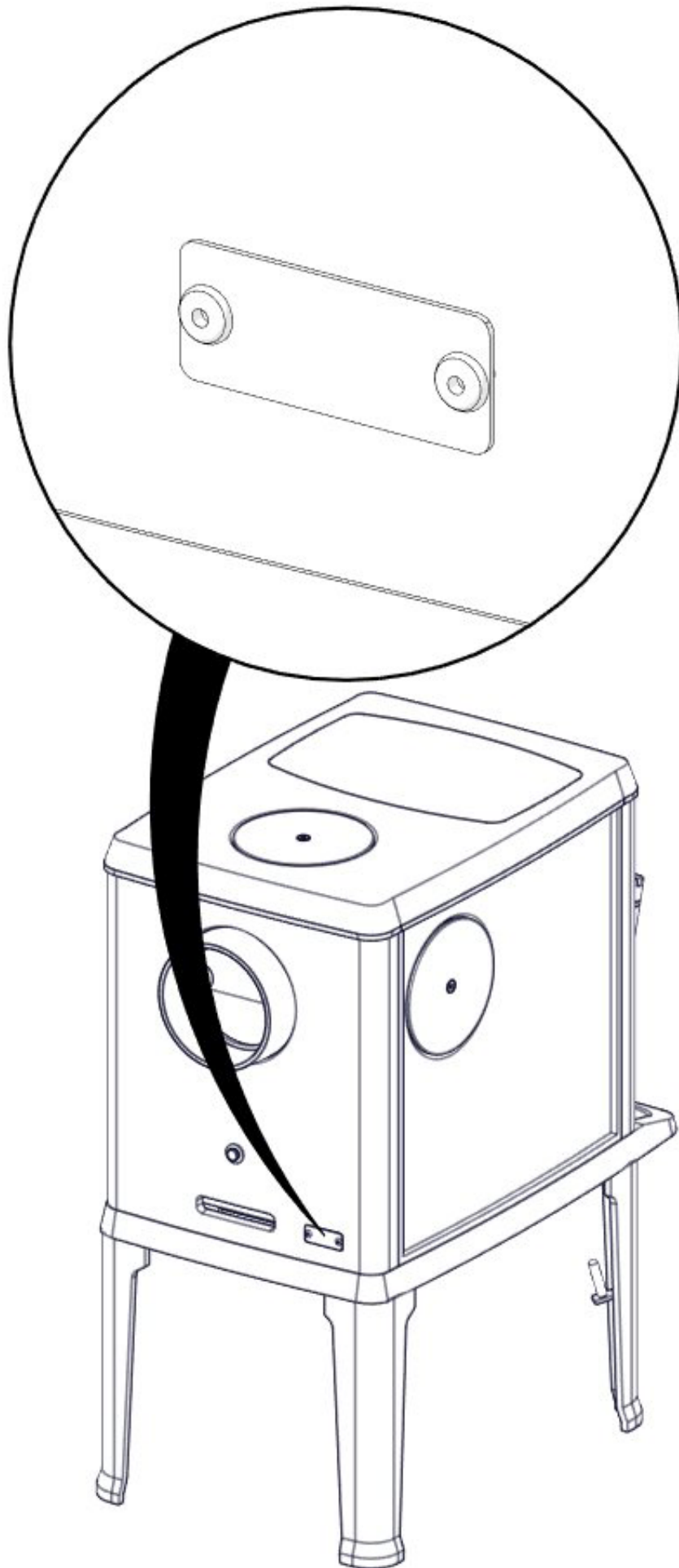
S-31A Basic / exclusive

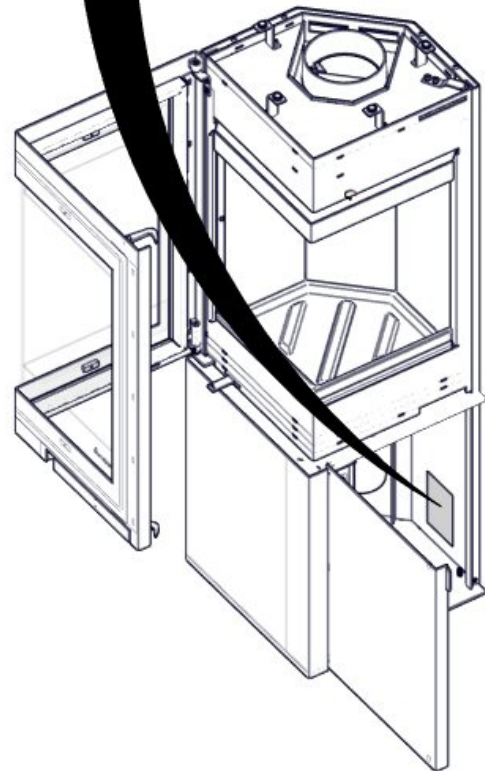
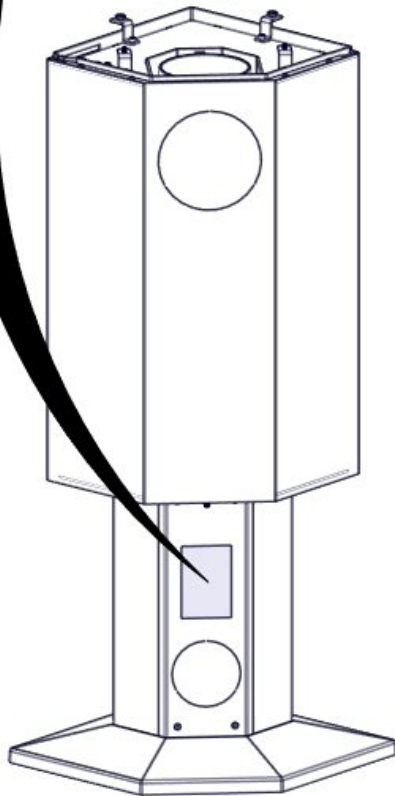
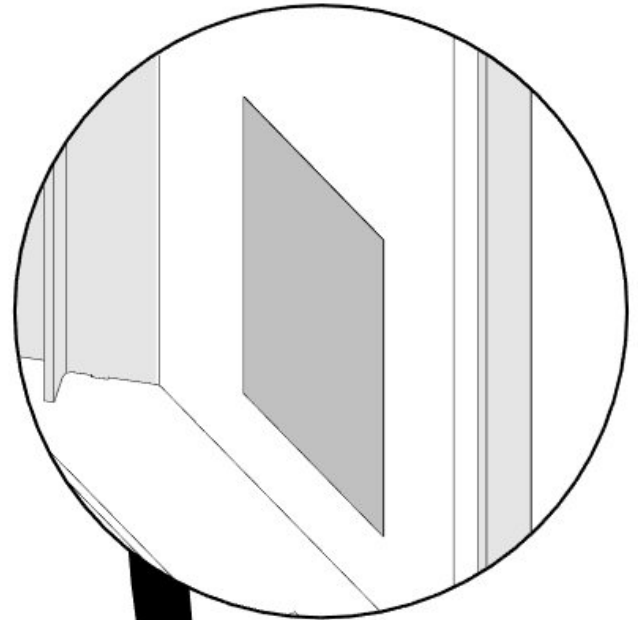
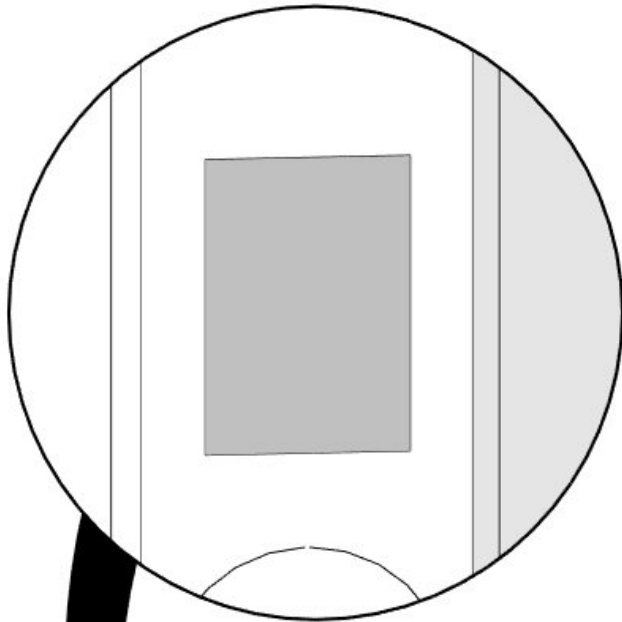




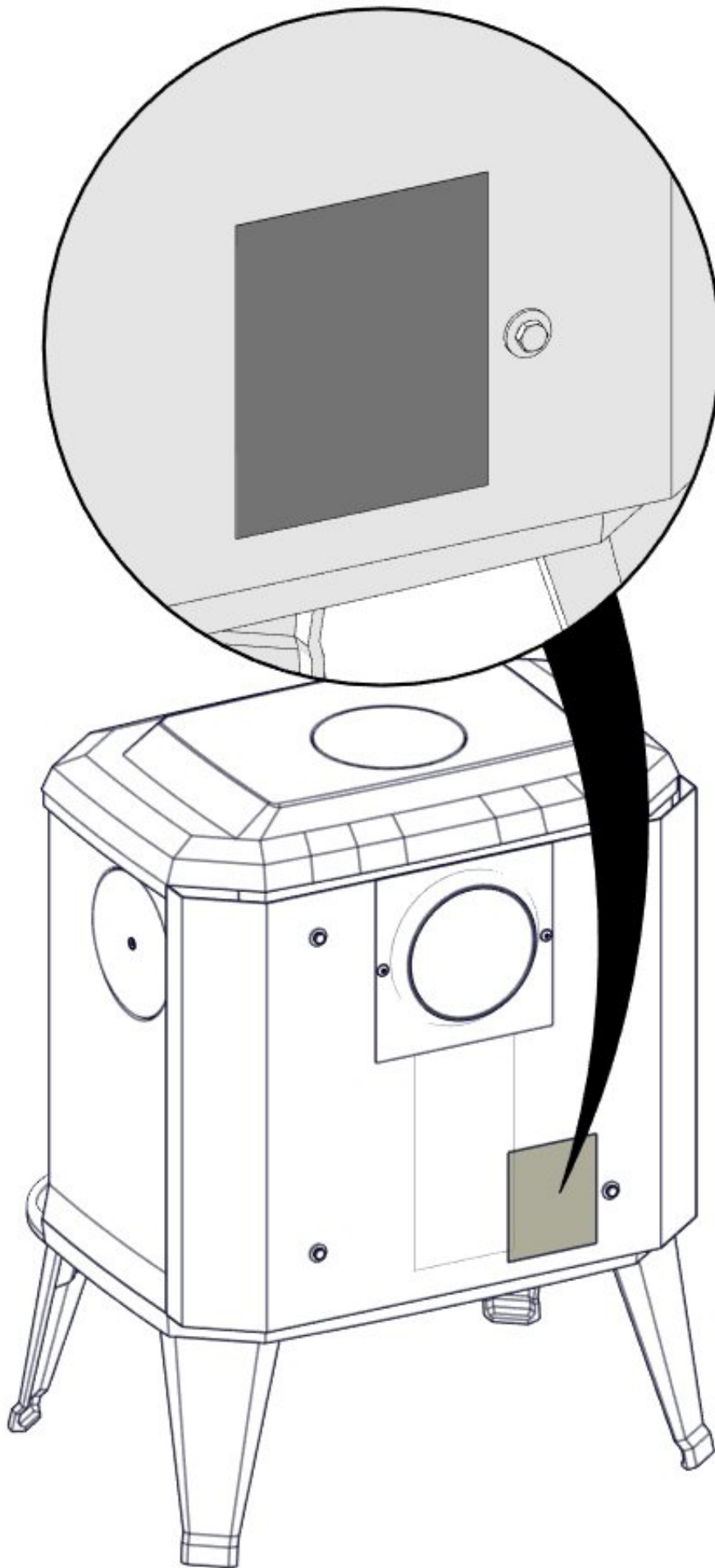


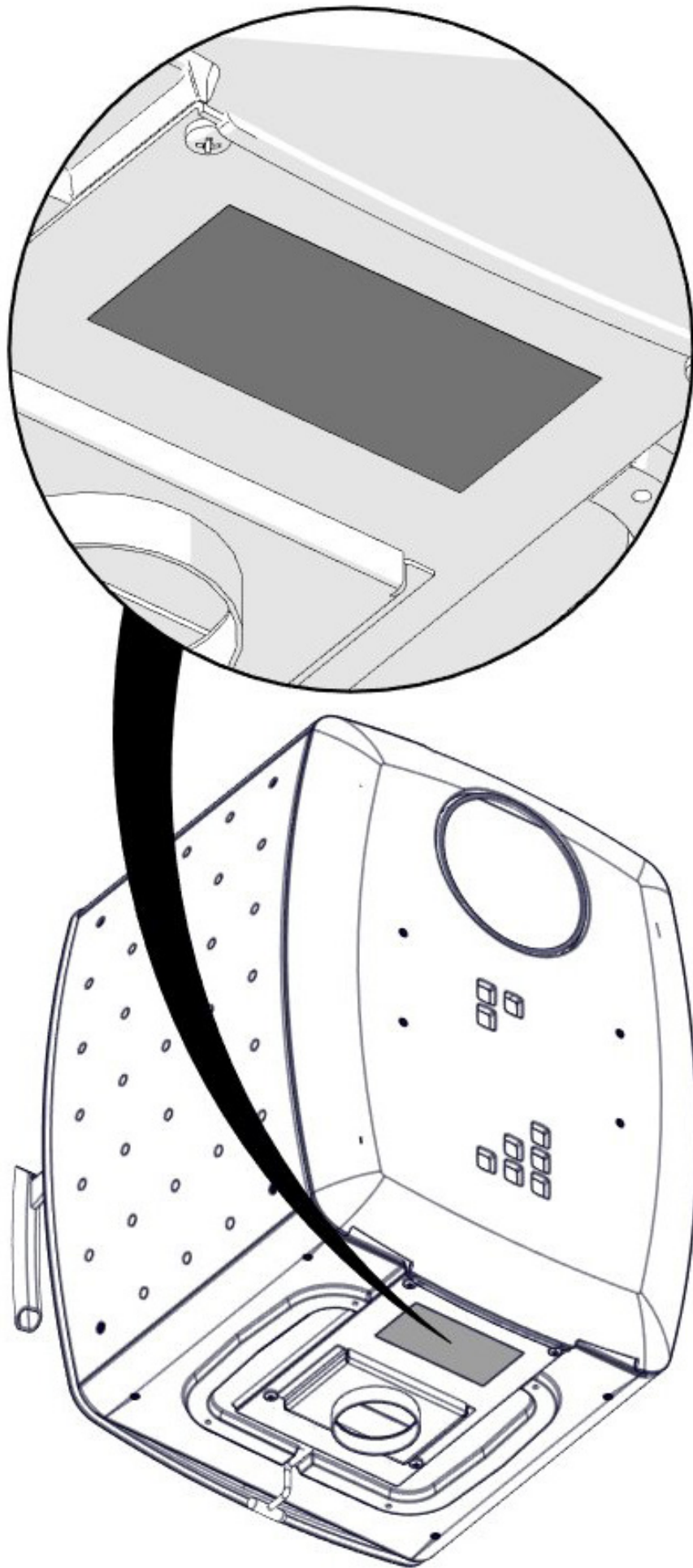
**Duo series**

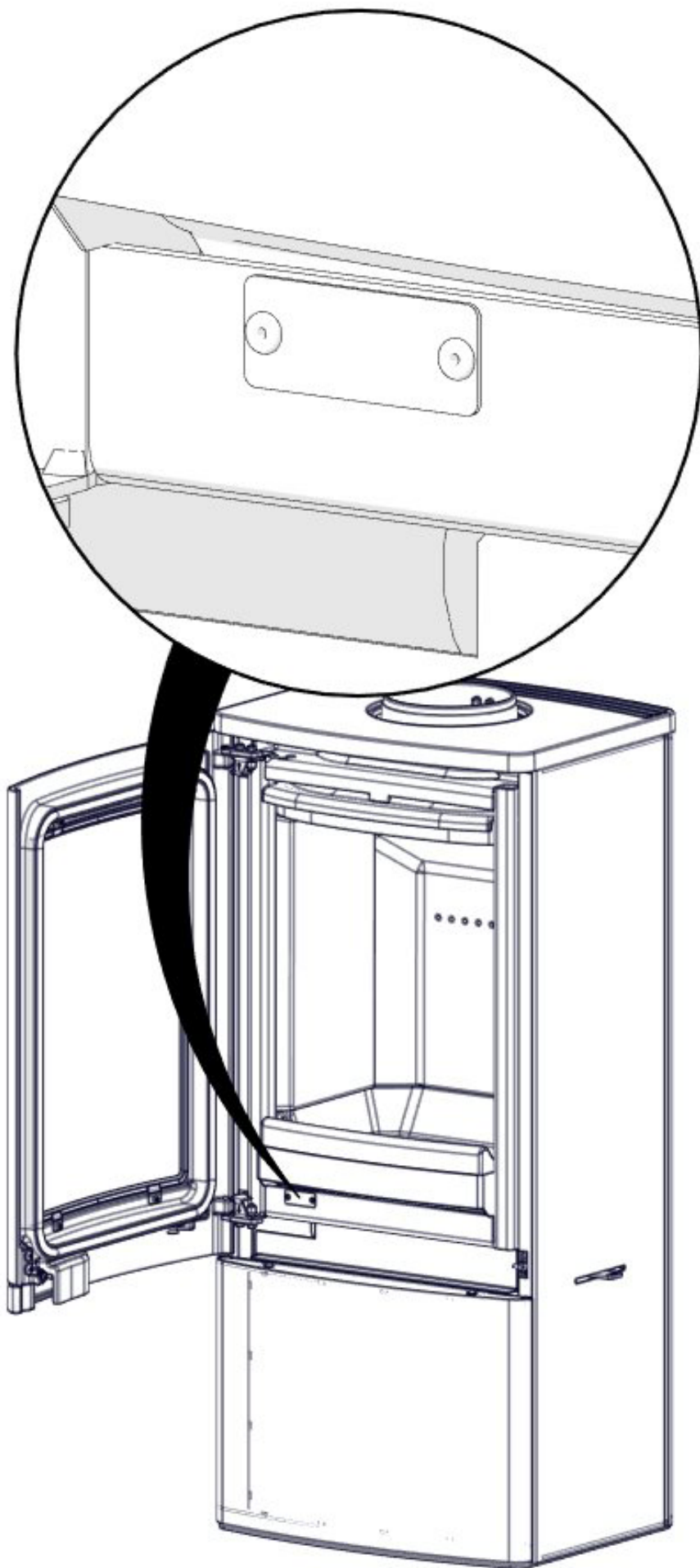


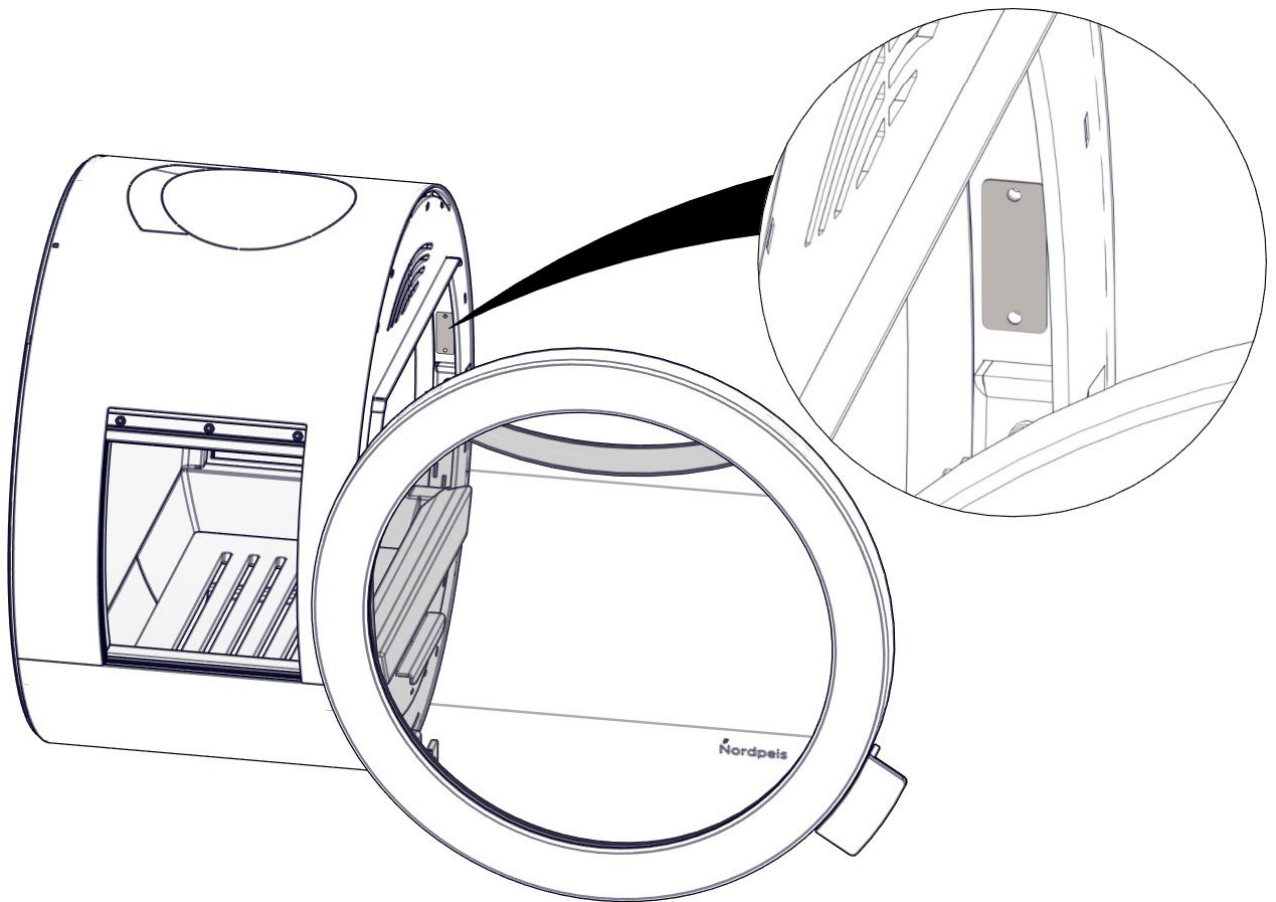
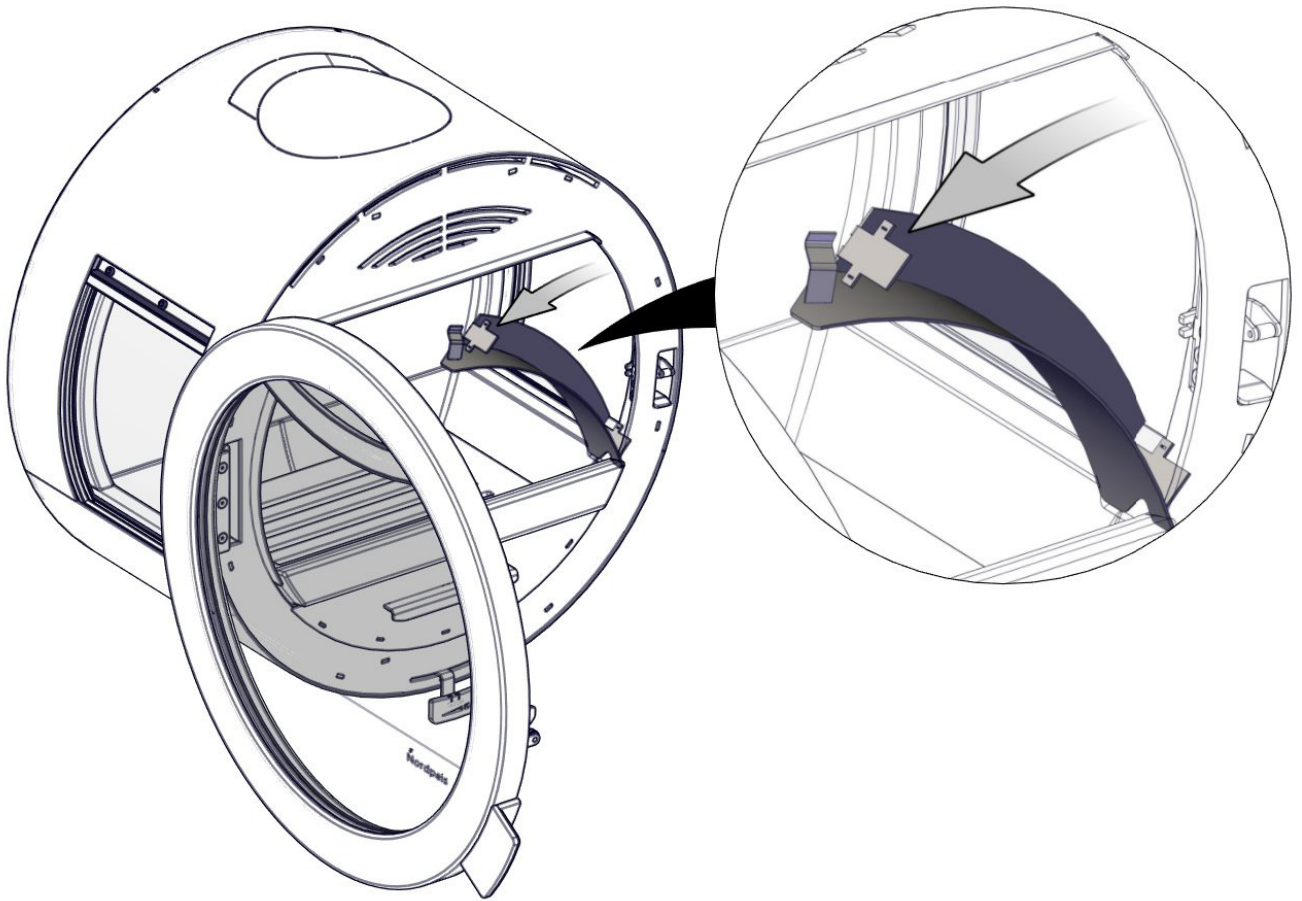


**Quadro Basic / Exclusive**

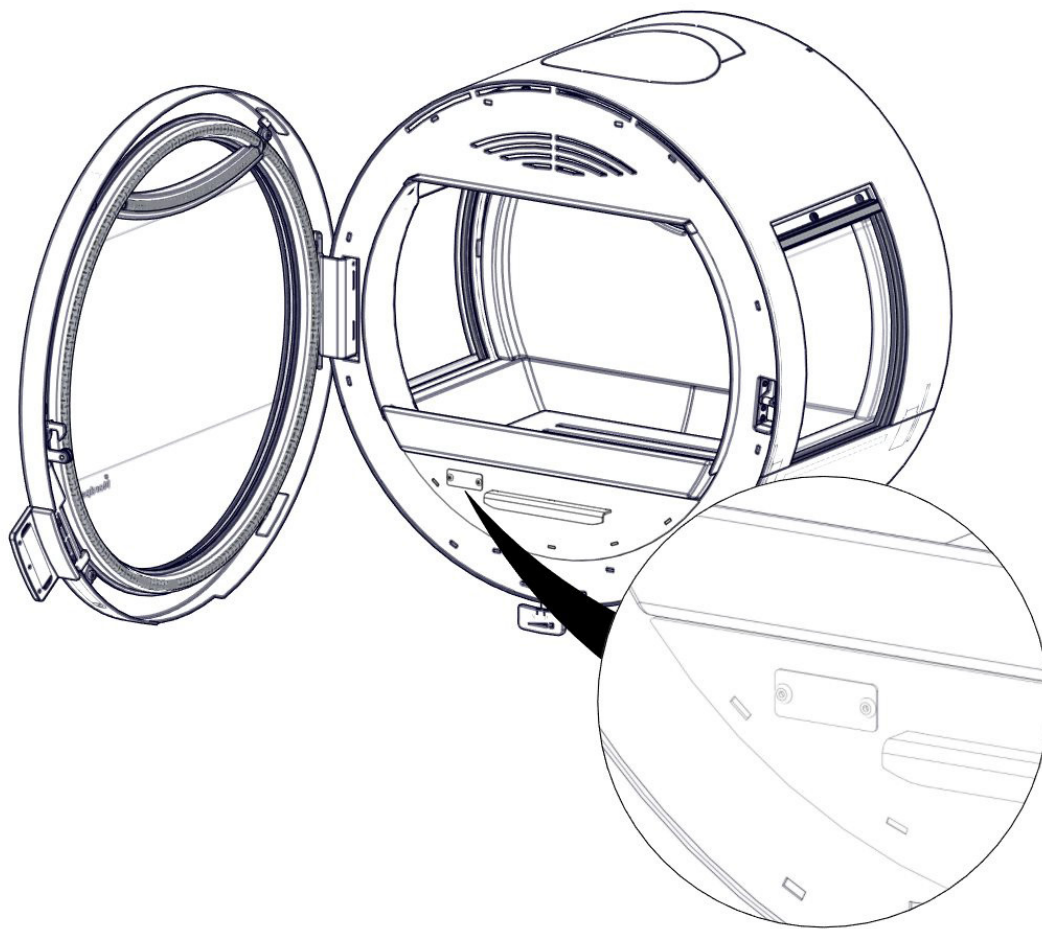


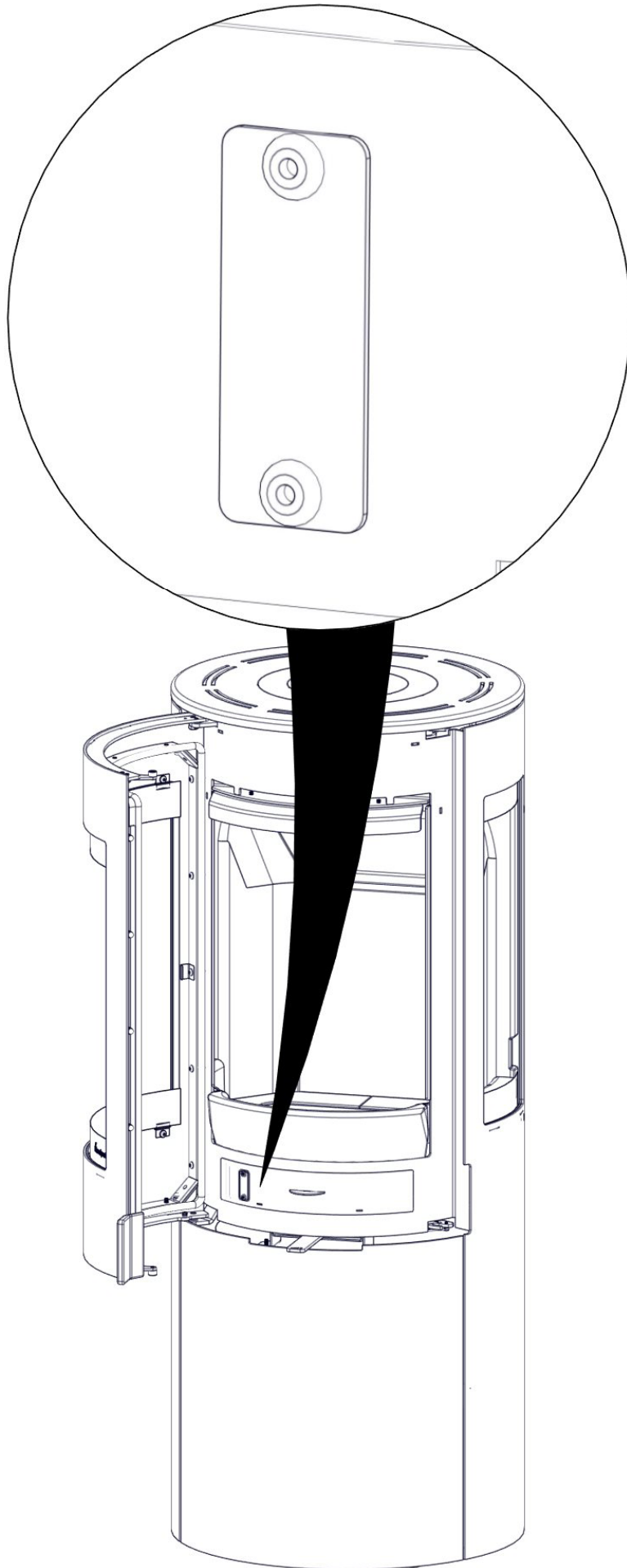




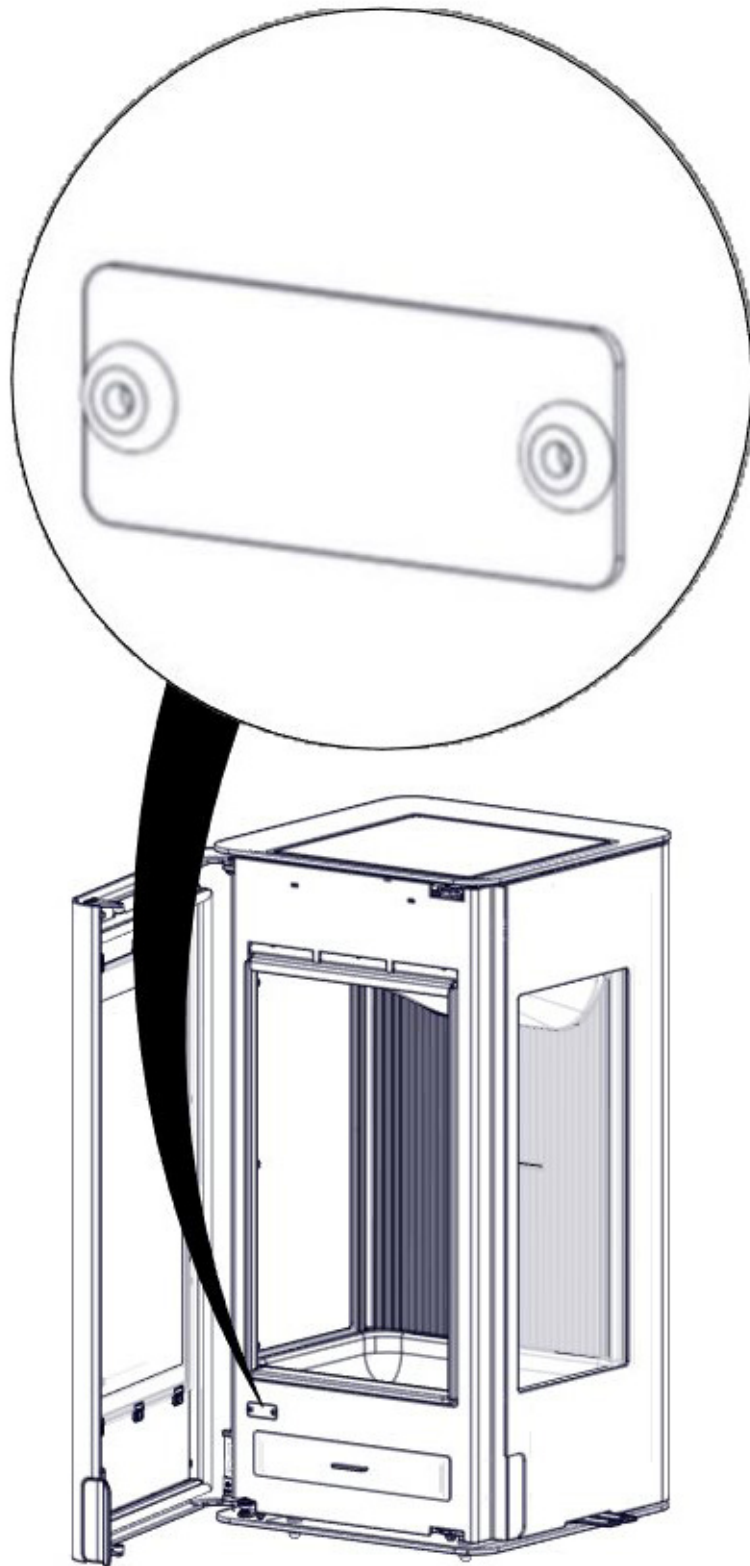








**Origo series**



 Nordpeis

Nordpeis AS, Gjellebekkstubben 9/11, N-3420 Lierskogen, Norway  
[www.nordpeis.com](http://www.nordpeis.com)