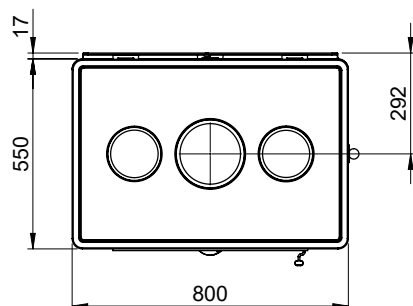
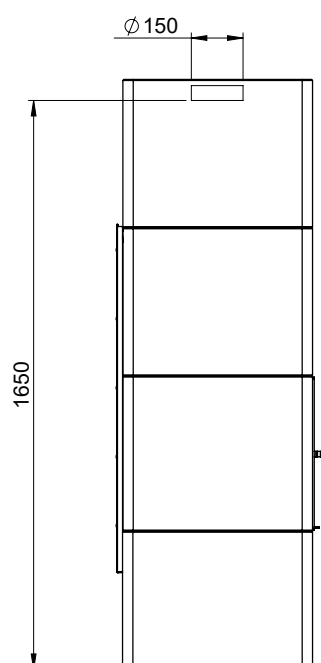
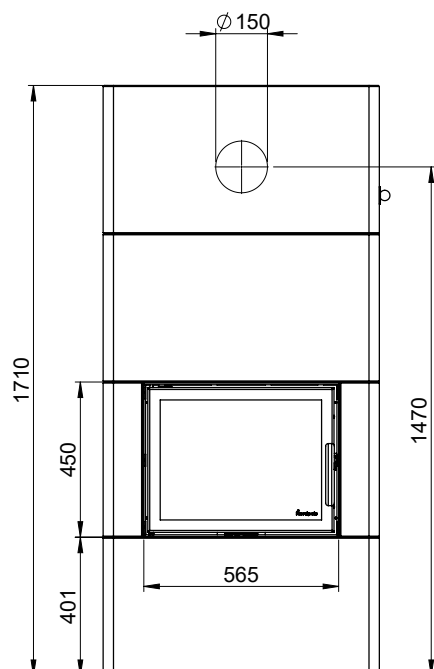


# Measurements

SALZBURG L

 Nordpeis

Salzburg L = mm

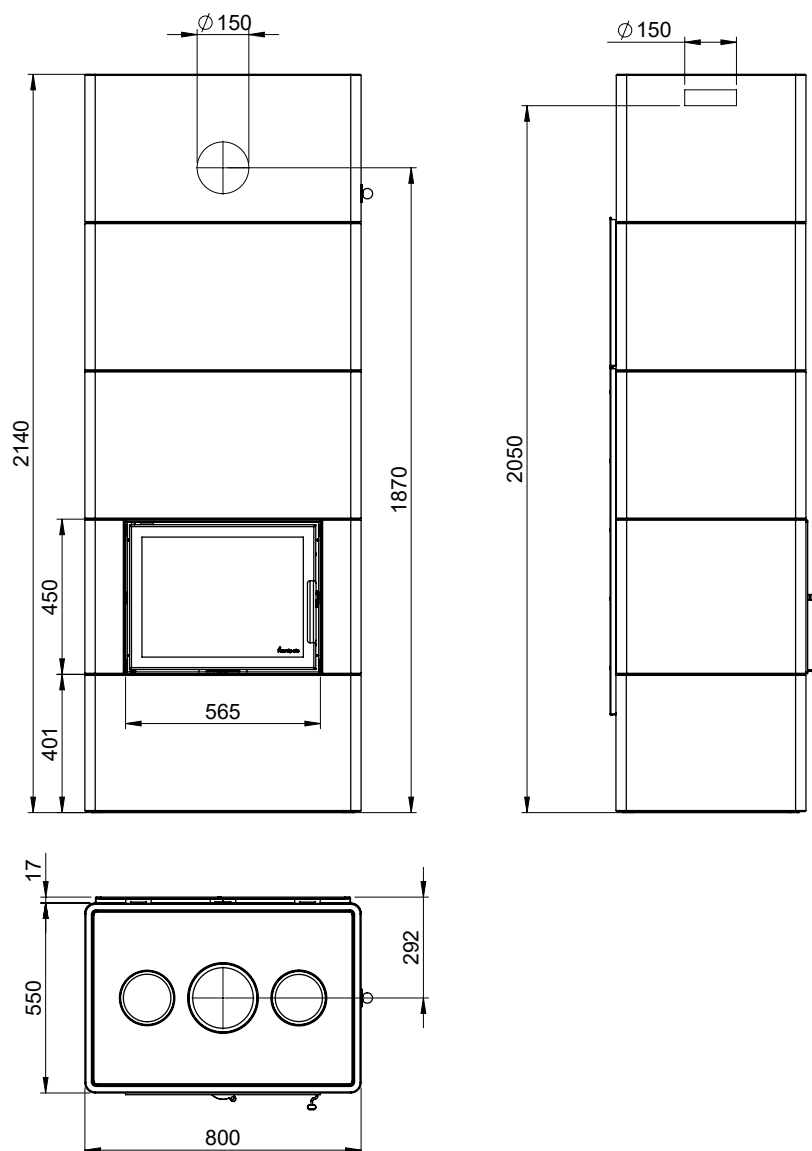


# Measurements

SALZBURG L

 Nordpeis

Salzburg L + 1 extension = mm

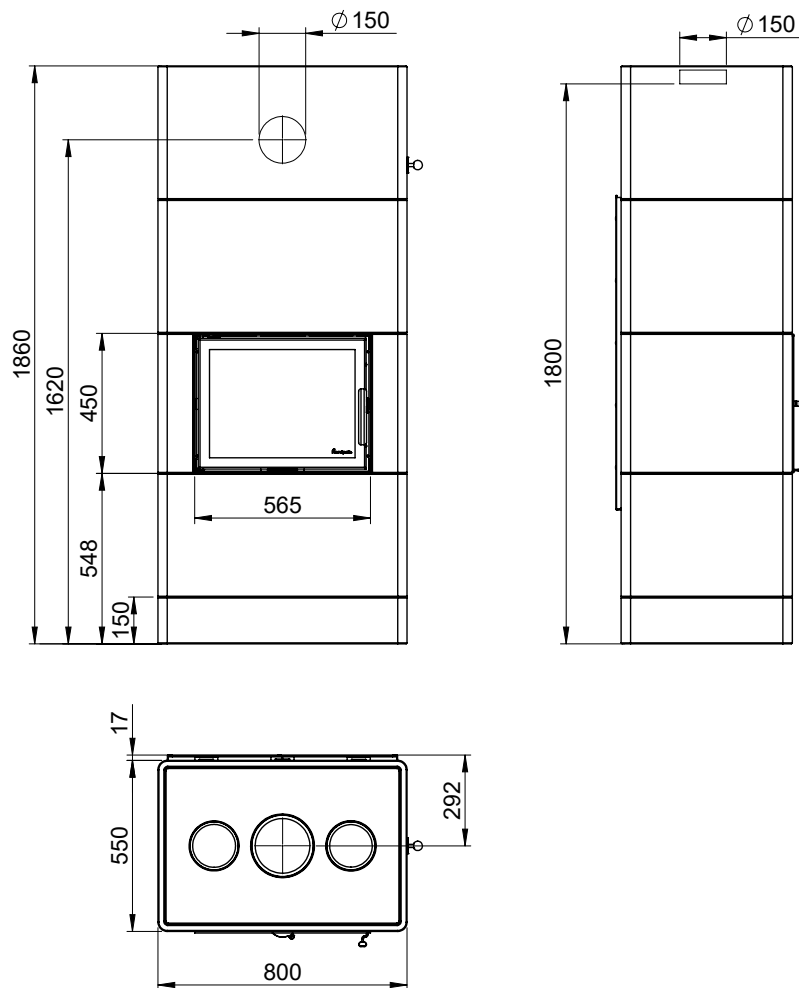


# Measurements

SALZBURG L

 Nordpeis

Salzburg L + extension base = mm



# Measurements

SALZBURG L



Salzburg L / Salzburg L + extension base / Salzburg L + 1 extension = AIR

