


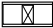
# Safety distances

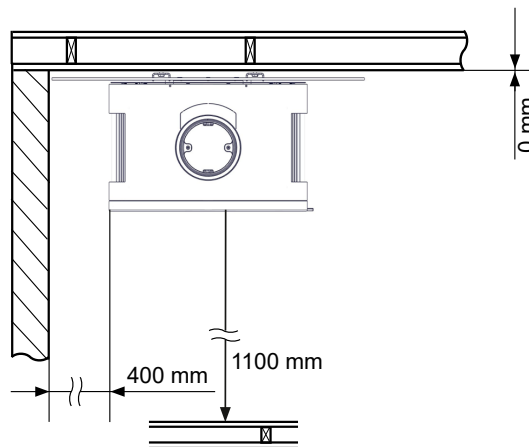
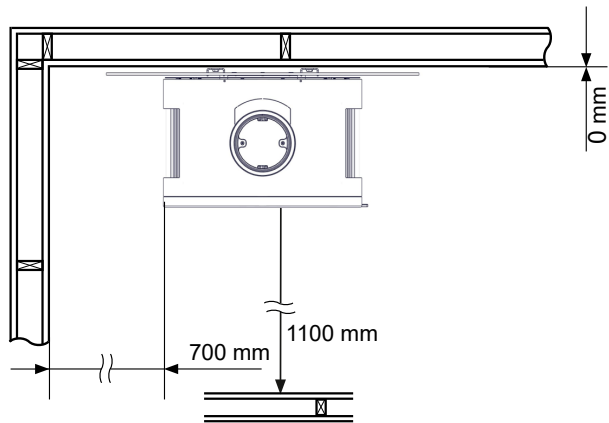
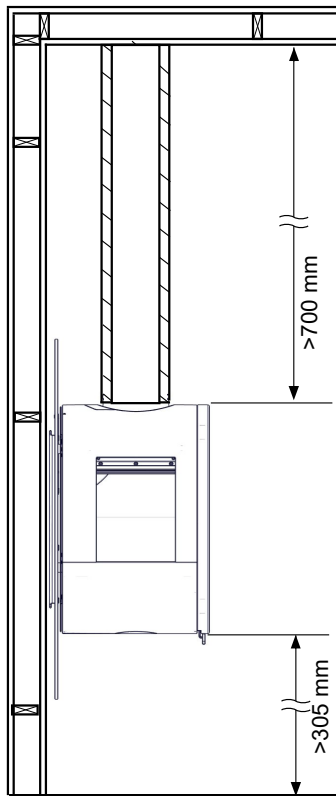
ME WALL WITH INTEGRATED FIREWALL

 Nordpeis

FIG 1 = MM

ME WALL WITH SIDEGLASS

-  = Brannmur/ Brandmur/ Firewall/ Palomuuri/ nicht brennbares Material / Wand/ Mur pare feu
-  = Brennbart materiale/ Brännbart material/ Combustible material/ Palavasta materiaalista/ brennbares Material / Wand/ Matières combustibles





# Safety distances

ME WALL WITH INTEGRATED FIREWALL

 Nordpeis

FIG 2 = MM

ME WALL WITHOUT SIDEGLASS

-  = Brannmur/ Brandmur/ Firewall/ Palomuri/ nicht brennbares Material / Wand/ Mur pare feu
-  = Brennbart materiale/ Brännbart material/ Combustible material/ Palavasta materiaalista/ brennbares Material / Wand/ Matières combustibles

