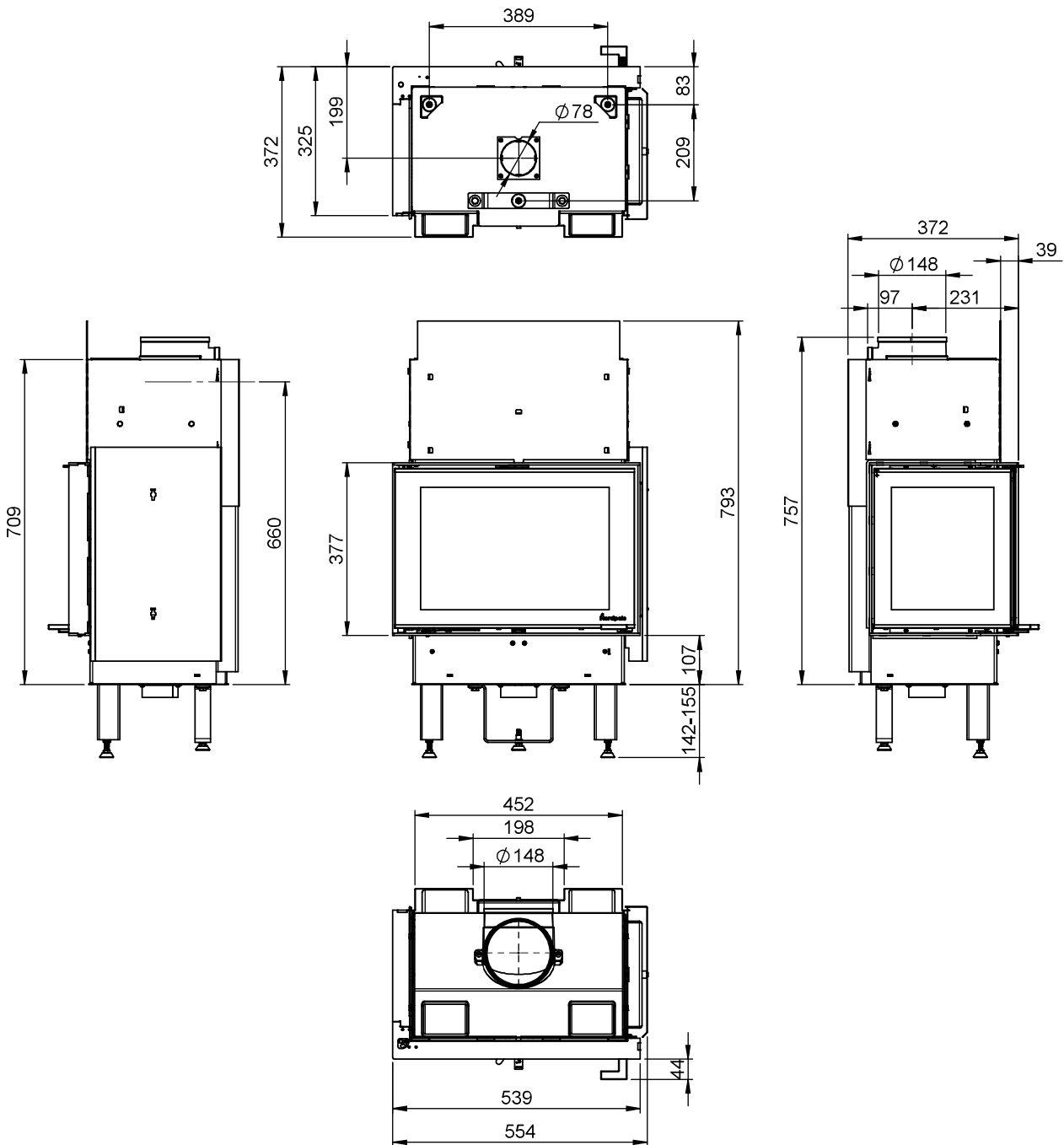


# Measurements

N-21A



N-21AL = MM/AIR/CHIMNEY



# Measurements

N-21A

 Nordpeis

N-21AR = MM/AIR/CHIMNEY

